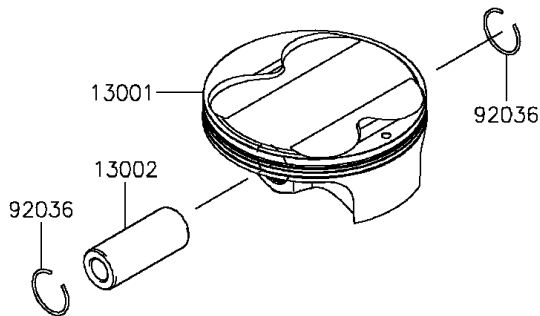
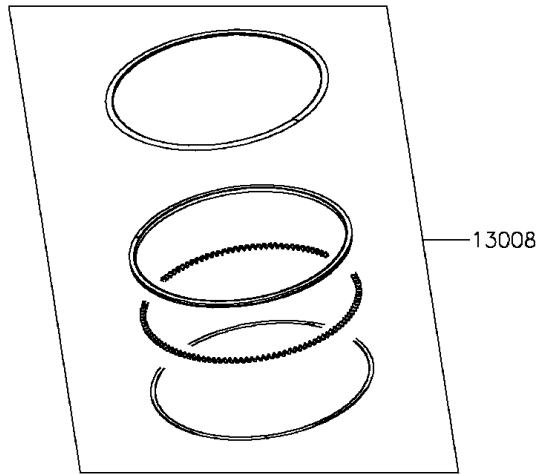
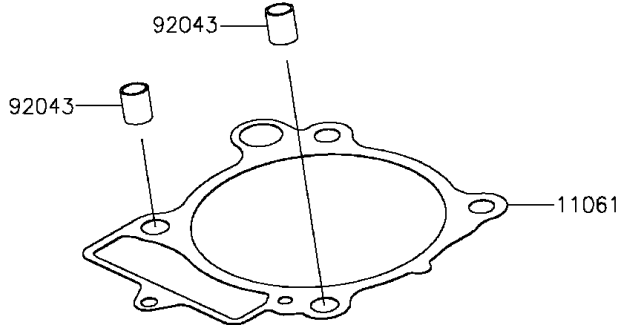
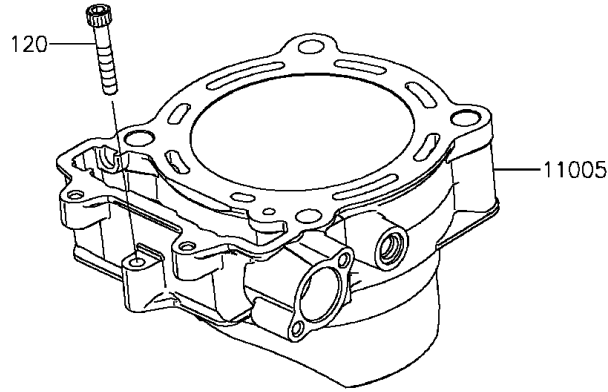


2016 KX™ 450F PARTS DIAGRAM

Cylinder/Piston(s)

E1120



2016 KX™ 450F PARTS LIST

Cylinder/Piston(s)

ITEM NAME	PART NUMBER	QUANTITY
BOLT-SOCKET,6X35 (Ref # 120)	120CA0635	1
CYLINDER-ENGINE (Ref # 11005)	11005-0660	1
GASKET,CYLINDER BASE (Ref # 11061)	11061-0984	1
PISTON-ENGINE (Ref # 13001)	13001-0736	1
PIN-PISTON (Ref # 13002)	13002-0028	1
RING-SET-PISTON (Ref # 13008)	13008-0555	1
RING-SNAP,PISTON PIN (Ref # 92036)	92036-008	2
PIN,10.1X12X14 (Ref # 92043)	92043-4009	2