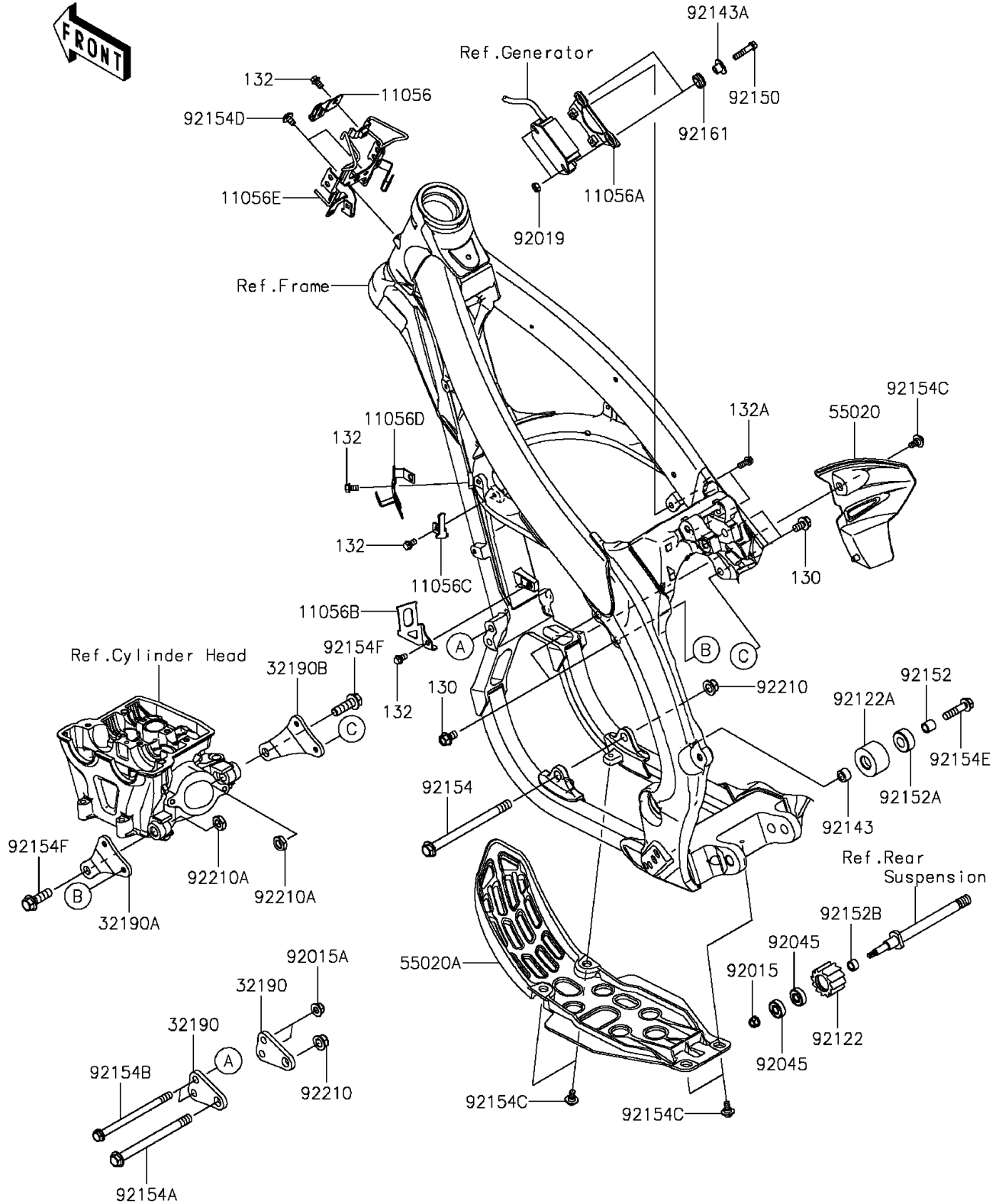


2016 KX™ 450F PARTS DIAGRAM

Frame Fittings

F2131



2016 KX™ 450F PARTS LIST

Frame Fittings

ITEM NAME	PART NUMBER	QUANTITY
BOLT-FLANGED,8X14 (Ref # 130)	130CA0814	4
BOLT-FLANGED-SMALL,6X10 (Ref # 132)	132BA0610	4
BOLT-FLANGED-SMALL,6X14 (Ref # 132A)	132BA0614	2
BRACKET,DIAG CONNECTOR (Ref # 11056)	11056-0070	1
BRACKET,REGULATOR (Ref # 11056A)	11056-7457	1
BRACKET,CONDENSOR (Ref # 11056B)	11056-7458	1
BRACKET,BANK SENSOR (Ref # 11056C)	11056-7459	1
BRACKET,COUPLER (Ref # 11056D)	11056-7460	1
BRACKET,ECU (Ref # 11056E)	11056-7494	1
BRACKET-ENGINE,FR (Ref # 32190)	32190-0698	2
BRACKET-ENGINE,UPP,LH (Ref # 32190A)	32190-0699	1
BRACKET-ENGINE,UPP,RH (Ref # 32190B)	32190-0700	1
GUARD,ENGINE,SIDE,RH (Ref # 55020)	55020-1892	1
GUARD,ENGINE,LWR (Ref # 55020A)	55020-1893	1
NUT,LOCK,FLANGED,6MM (Ref # 92015)	92015-1339	1
NUT,8MM (Ref # 92015A)	92015-1432	2
NUT,LOCK,6MM (Ref # 92019)	92019-008	2
BEARING-BALL,608LLU/2A (Ref # 92045)	92045-0060	2
ROLLER,CHAIN GUIDE (Ref # 92122)	92122-0016	1
ROLLER,CHAIN (Ref # 92122A)	92122-0042	1
COLLAR,8.5X15X9 (Ref # 92143)	92143-1642	1
COLLAR (Ref # 92143A)	92143-1962	2
BOLT,FLANGED,6X27 (Ref # 92150)	92150-1124	2
COLLAR,8.5X12.5X12.5 (Ref # 92152)	92152-0944	1
COLLAR,12.7X27.2X12 (Ref # 92152A)	92152-0945	1
COLLAR,8.1X12.5X7.5 (Ref # 92152B)	92152-1624	1
BOLT,FLANGED,10X137 (Ref # 92154)	92154-0522	1
BOLT,FLANGED,10X124 (Ref # 92154A)	92154-0523	1
BOLT,FLANGED,8X122 (Ref # 92154B)	92154-0524	2

2016 KX™ 450F PARTS LIST

Frame Fittings

ITEM NAME	PART NUMBER	QUANTITY
BOLT,FLANGED,6X9 (Ref # 92154C)	92154-0546	5
BOLT,SOCKET,6X10 (Ref # 92154D)	92154-0774	2
BOLT,FLANGED,8X35 (Ref # 92154E)	92154-1746	1
BOLT,FLANGED,10X32 (Ref # 92154F)	92154-1747	2
DAMPER (Ref # 92161)	92161-0266	2
NUT,LOCK,FLANGED,10MM (Ref # 92210)	92210-1080	2
NUT,LOCK,10MM (Ref # 92210A)	92210-1184	2