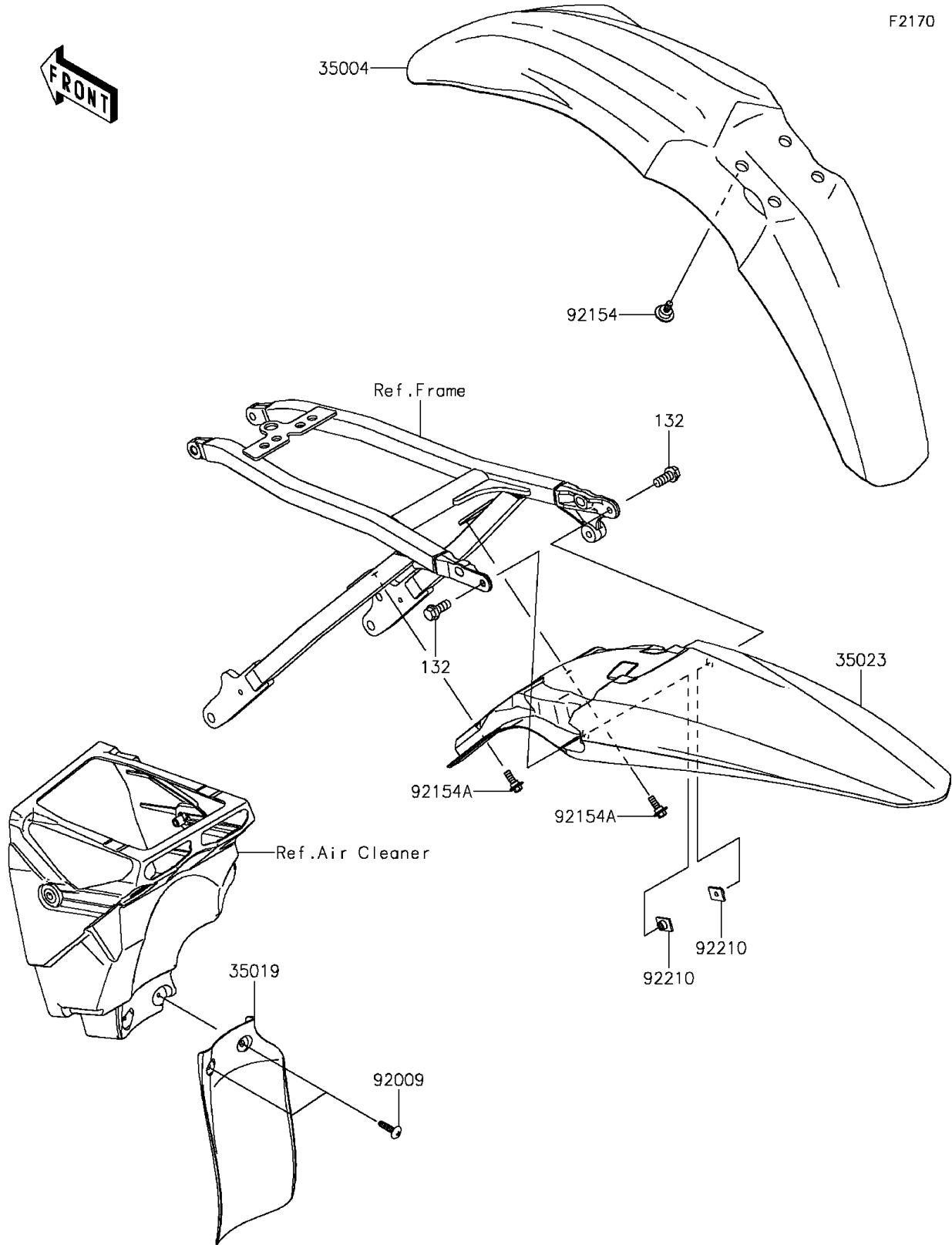


# 2016 KX™ 450F PARTS DIAGRAM

## Fenders



## 2016 KX™ 450F PARTS LIST

### Fenders

ITEM NAME	PART NUMBER	QUANTITY
BOLT-FLANGED-SMALL,6X14 (Ref # 132)	132BA0614	2
FENDER-FRONT,L.GREEN (Ref # 35004)	35004-0350-290	1
FLAP (Ref # 35019)	35019-0602	1
FENDER-REAR,L.GREEN (Ref # 35023)	35023-0404-290	1
SCREW,TAPPING,5X20 (Ref # 92009)	92009-1993	2
BOLT,6X18.5 (Ref # 92154)	92154-0972	4
BOLT,FLANGED,6X28 (Ref # 92154A)	92154-1739	2
NUT,PLATE,6MM (Ref # 92210)	92210-1352	2