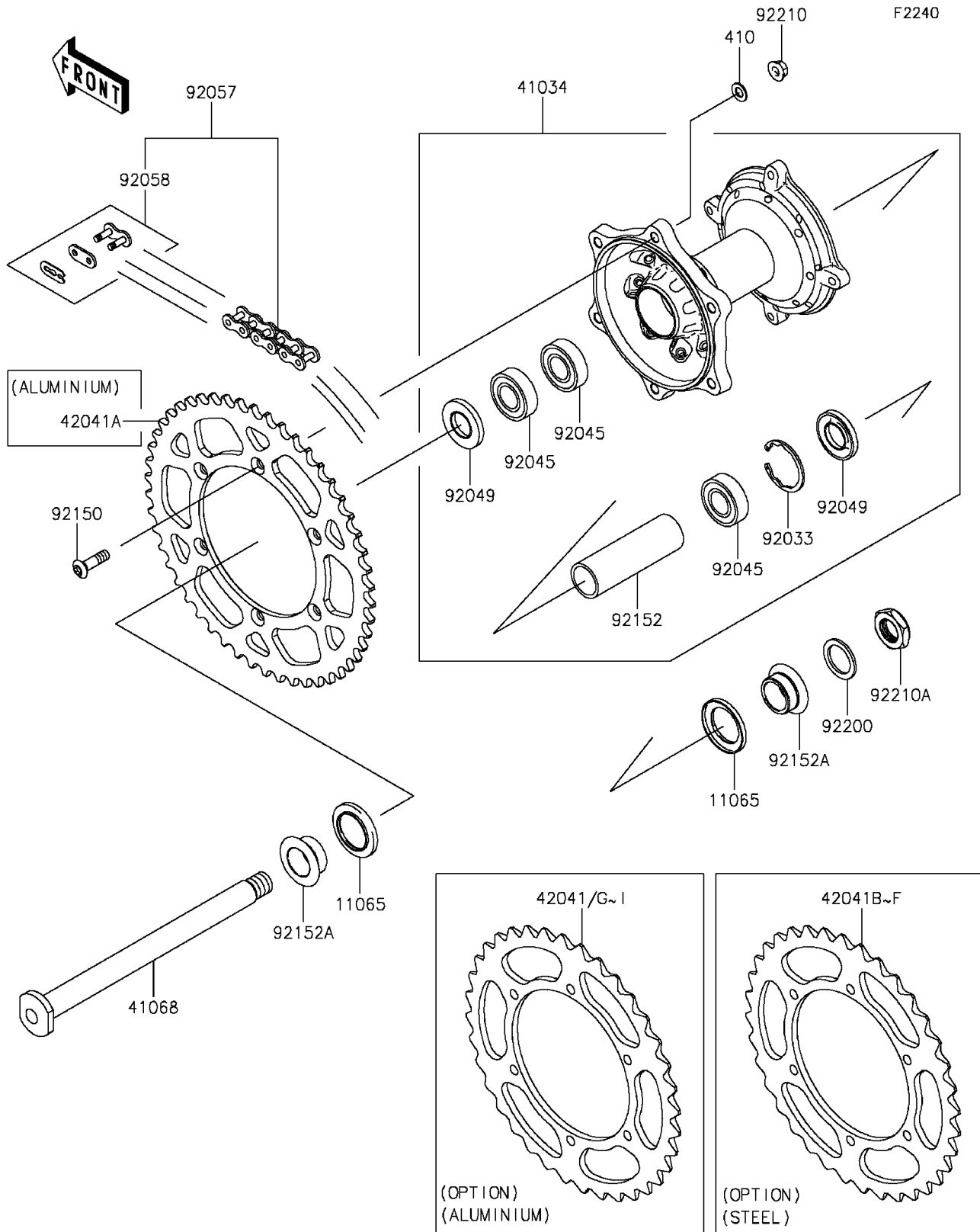


2016 KX™ 450F PARTS DIAGRAM

Rear Hub



2016 KX™ 450F PARTS LIST

Rear Hub

ITEM NAME	PART NUMBER	QUANTITY
WASHER-PLAIN-SMALL,8MM (Ref # 410)	410AA0800	6
CAP,AXLE (Ref # 11065)	11065-1253	2
DRUM-ASSY,REAR BRAKE (Ref # 41034)	41034-0057	1
AXLE,RR,L=255 (Ref # 41068)	41068-0597	1
SPROCKET-HUB,52T,AL (Ref # 42041)	42041-0001	1
SPROCKET-HUB,50T,AL (Ref # 42041A)	42041-0151	1
SPROCKET-HUB,48T,STEEL (Ref # 42041B)	42041-1383	1
SPROCKET-HUB,49T,STEEL (Ref # 42041C)	42041-1384	1
SPROCKET-HUB,50T,STEEL (Ref # 42041D)	42041-1408	1
SPROCKET-HUB,51T,STEEL (Ref # 42041E)	42041-1428	1
SPROCKET-HUB,52T,STEEL (Ref # 42041F)	42041-1429	1
SPROCKET-HUB,48T,AL (Ref # 42041G)	42041-1448	1
SPROCKET-HUB,49T,AL (Ref # 42041H)	42041-1449	1
SPROCKET-HUB,51T,AL (Ref # 42041I)	42041-1451	1
RING-SNAP,42MM (Ref # 92033)	92033-1041	1
BEARING-BALL,69052RS (Ref # 92045)	92045-1446	3
SEAL-OIL (Ref # 92049)	92049-1614	2
CHAIN,DRIVE,DID520DMA4X114L (Ref # 92057)	92057-0192	1
JOINT-CHAIN,DRIVE (Ref # 92058)	92058-1074	1
BOLT,SOCKET,8X28 (Ref # 92150)	92150-1978	6
COLLAR,REAR BRAKE DRUM,L=106.5 (Ref # 92152)	92152-1427	1
COLLAR,RR HUB (Ref # 92152A)	92152-1544	2
WASHER,22.5X35X2.3 (Ref # 92200)	92200-1623	1
NUT,FLANGED,LOCK,8MM (Ref # 92210)	92210-0493	6
NUT,SELF LOCK,22MM (Ref # 92210A)	92210-0939	1