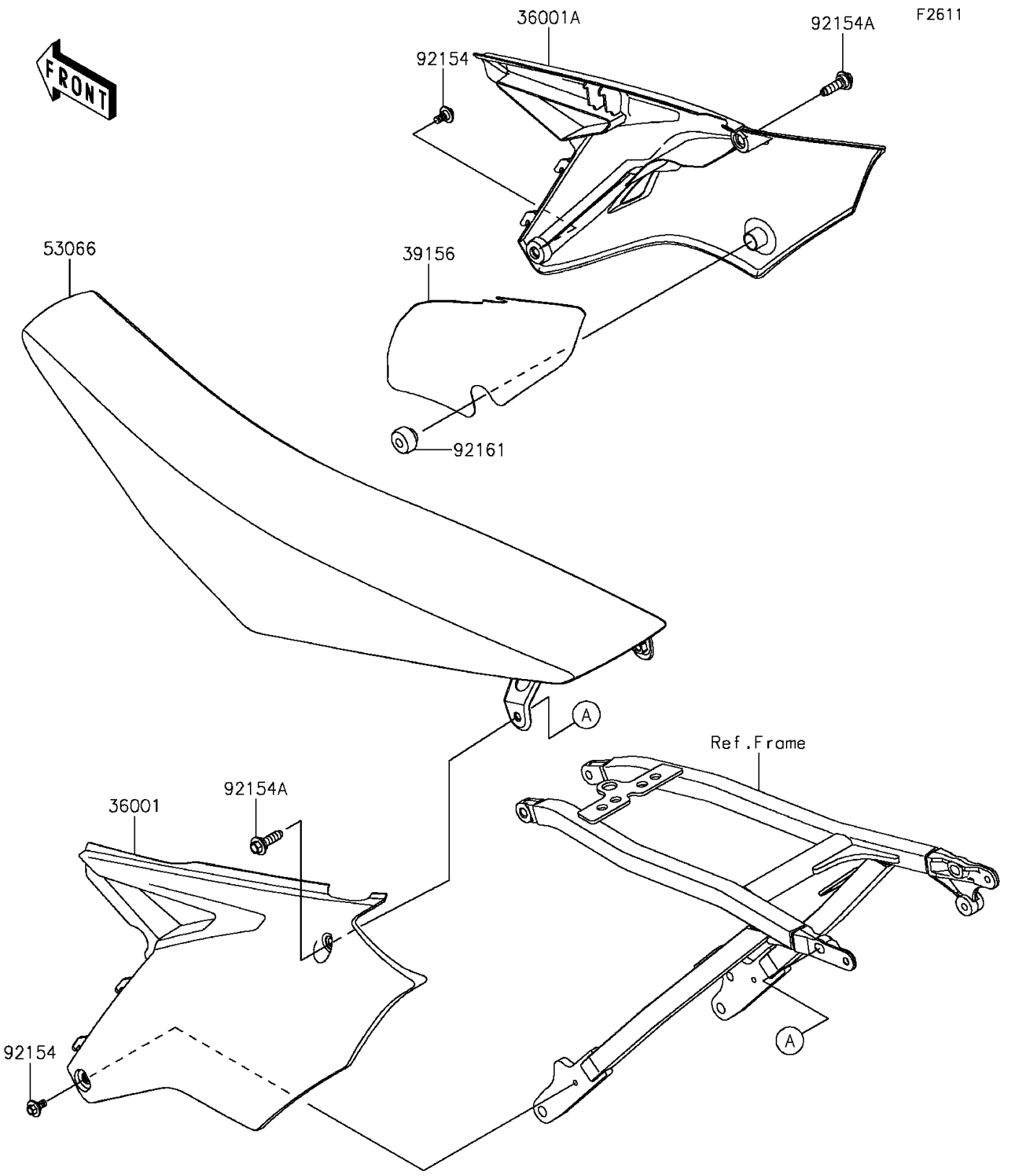


2016 KX™ 450F PARTS DIAGRAM

Side Covers



2016 KX™ 450F PARTS LIST

Side Covers

ITEM NAME	PART NUMBER	QUANTITY
COVER-SIDE,LH,B.WHITE (Ref # 36001)	36001-0629-266	1
COVER-SIDE,RH,B.WHITE (Ref # 36001A)	36001-0631-266	1
PAD (Ref # 39156)	39156-1885	1
SEAT-ASSY,GREEN/BLACK (Ref # 53066)	53066-0485-49F	1
BOLT,FLANGED,6X9 (Ref # 92154)	92154-0546	2
BOLT,STEPPED,8X29 (Ref # 92154A)	92154-1713	2
DAMPER (Ref # 92161)	92161-1783	1