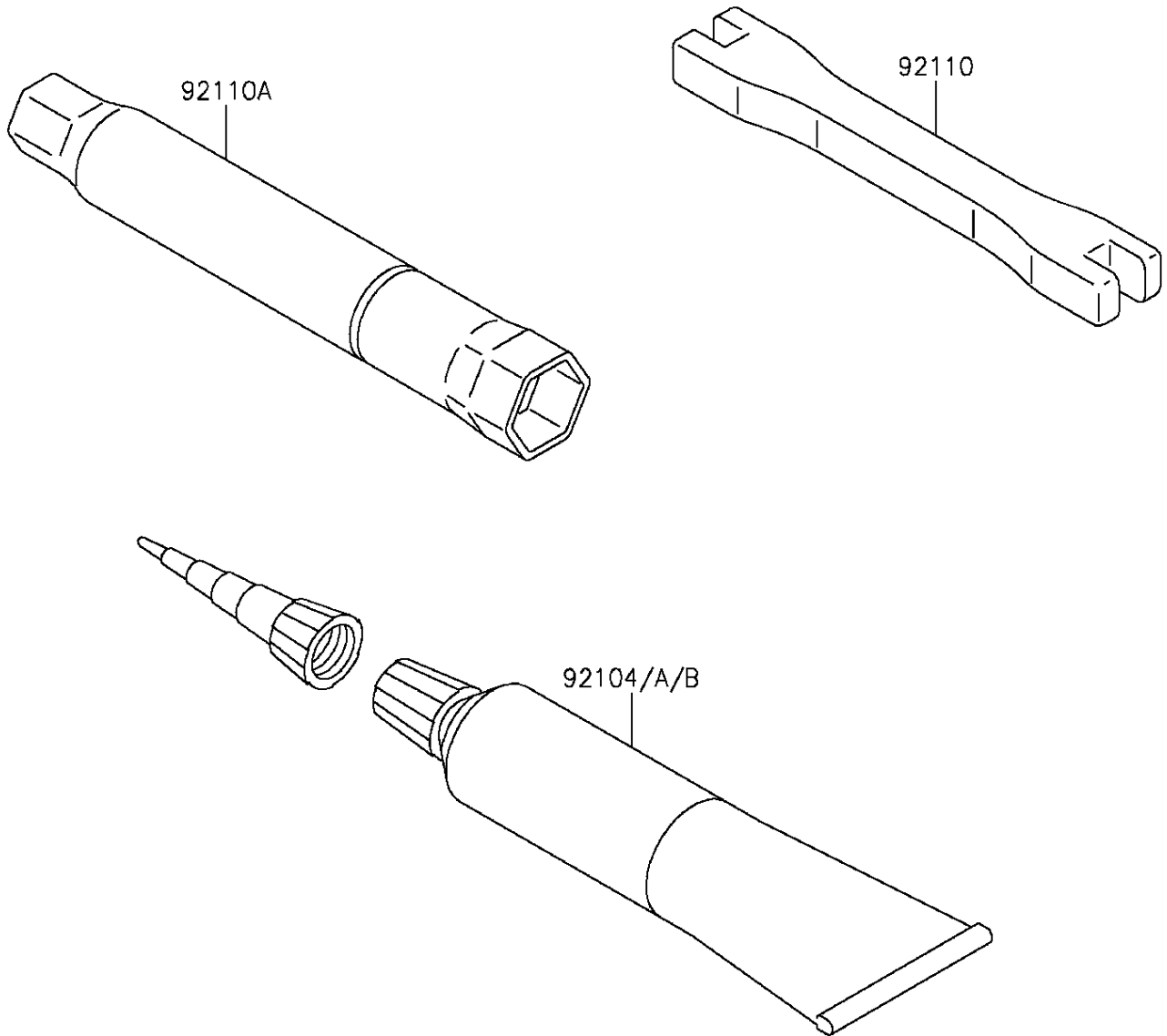


# 2016 KX™ 450F PARTS DIAGRAM

Owner's Tools

F2810



## 2016 KX™ 450F PARTS LIST

### Owner's Tools

ITEM NAME	PART NUMBER	QUANTITY
GASKET-LIQUID,TB1211F,CLEAR (Ref # 92104)	92104-0004	1
GASKET-LIQUID,TB1216,GRAY (Ref # 92104A)	92104-1063	1
GASKET-LIQUID,TB1216B,BLACK (Ref # 92104B)	92104-1064	1
TOOL-WRENCH,NIPPLE,6X8 (Ref # 92110)	92110-0004	1
TOOL-WRENCH,BOX,16MM (Ref # 92110A)	92110-0005	1