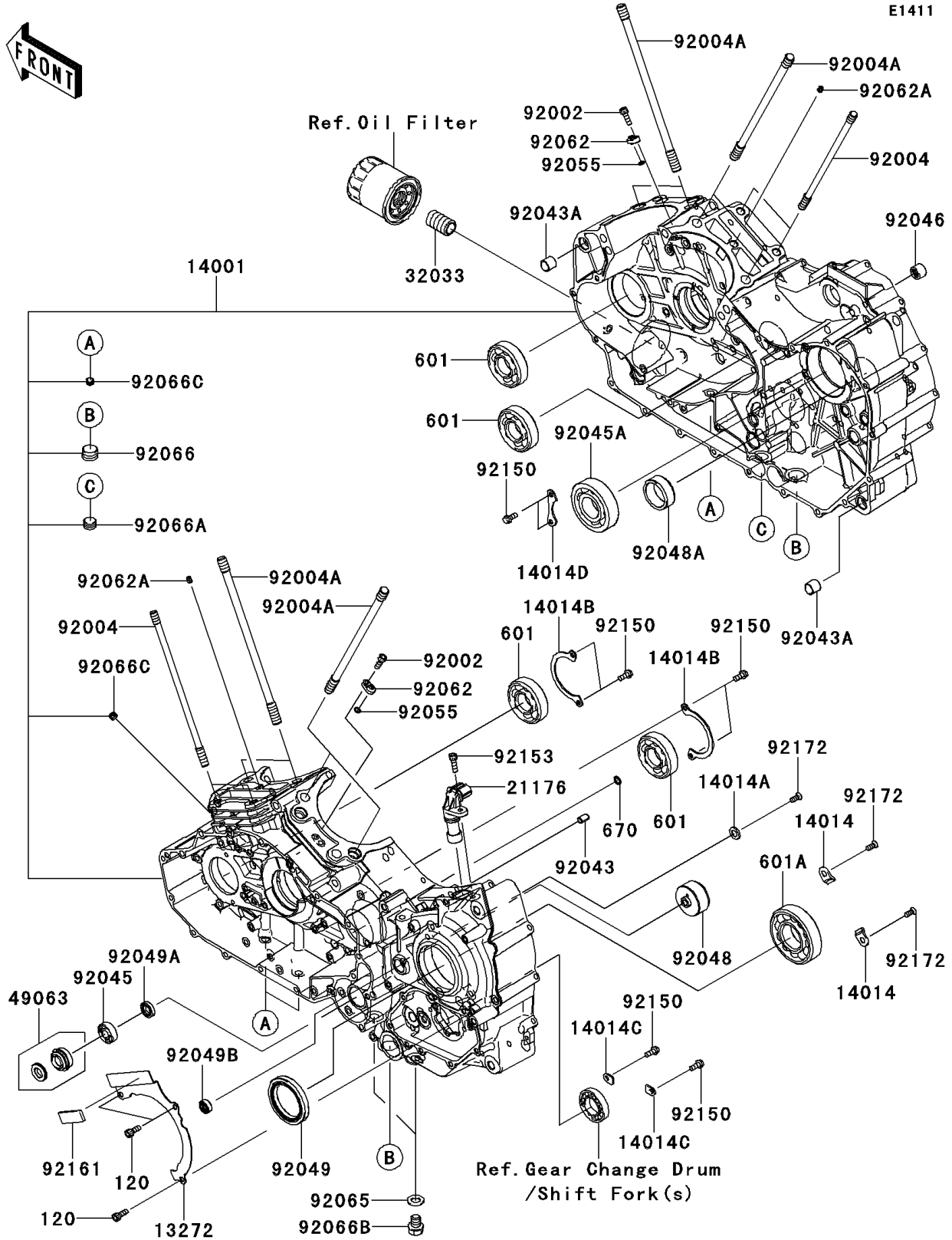


# 2010 Vulcan® 1700 Voyager® PARTS DIAGRAM

Crankcase



## 2010 Vulcan® 1700 Voyager® PARTS LIST

### Crankcase

| ITEM NAME                                 | PART NUMBER | QUANTITY |
|---|-------------|----------|
| BOLT-SOCKET,6X16 (Ref # 120)              | 120CA0616   | 3        |
| BEARING-BALL,#6305 (Ref # 601)            | 601A6305    | 4        |
| BEARING-BALL (Ref # 601A)                 | 601A6307    | 1        |
| O RING,8MM (Ref # 670)                    | 670D1508    | 1        |
| PLATE,EG OUTPUT (Ref # 13272)             | 13272-0319  | 1        |
| SET-CRANKCASE (Ref # 14001)               | 14001-0134  | 1        |
| PLATE-POSITION (Ref # 14014)              | 14014-0003  | 2        |
| PLATE-POSITION,9.5X17X2.3 (Ref # 14014A)  | 14014-0019  | 1        |
| PLATE-POSITION,BALANCER (Ref # 14014B)    | 14014-0033  | 2        |
| PLATE-POSITION,CHANGE DRUM (Ref # 14014C) | 14014-0034  | 2        |
| PLATE-POSITION (Ref # 14014D)             | 14014-1084  | 1        |
| SENSOR,SPEED (Ref # 21176)                | 21176-0042  | 1        |
| PIPE,OIL FILTER (Ref # 32033)             | 32033-1535  | 1        |
| SEAL-MECHANICAL,WATER (Ref # 49063)       | 49063-1055  | 1        |
| BOLT,SOCKET,5X18 (Ref # 92002)            | 92002-1805  | 2        |
| STUD,10X201 (Ref # 92004)                 | 92004-0038  | 4        |
| STUD,12X217 (Ref # 92004A)                | 92004-0039  | 8        |
| PIN,6.2X8X14 (Ref # 92043)                | 92043-1263  | 1        |
| PIN,13X16X14 (Ref # 92043A)               | 92043-1608  | 2        |
| BEARING-BALL,6001JRXLLU/5K (Ref # 92045)  | 92045-1151  | 1        |
| BEARING-BALL,6306SH2 (Ref # 92045A)       | 92045-1190  | 1        |
| BEARING-NEEDLE,HK1212V11 (Ref # 92046)    | 92046-1292  | 1        |
| RACE (Ref # 92048)                        | 92048-0017  | 1        |
| RACE (Ref # 92048A)                       | 92048-1103  | 1        |
| SEAL-OIL,50X68X9 (Ref # 92049)            | 92049-0107  | 1        |
| SEAL-OIL,SC 12X22X5 (Ref # 92049A)        | 92049-1228  | 1        |
| SEAL-OIL (Ref # 92049B)                   | 92049-1566  | 1        |
| RING-O,5.5X1.5 (Ref # 92055)              | 92055-1339  | 2        |
| NOZZLE,OIL JET (Ref # 92062)              | 92062-0016  | 2        |

## 2010 Vulcan® 1700 Voyager® PARTS LIST

### Crankcase

| ITEM NAME                        | PART NUMBER | QUANTITY |
|----------------------------------|-------------|----------|
| NOZZLE,6X8,YELLOW (Ref # 92062A) | 92062-1080  | 2        |
| GASKET,12X22X2 (Ref # 92065)     | 92065-097   | 2        |
| PLUG,PT1/2X12.5 (Ref # 92066)    | 92066-0002  | 2        |
| PLUG,PT3/8X10 (Ref # 92066A)     | 92066-0003  | 1        |
| PLUG,12X15 (Ref # 92066B)        | 92066-0079  | 2        |
| PLUG,PT1/8X7 (Ref # 92066C)      | 92066-1227  | 4        |
| BOLT,6X14 (Ref # 92150)          | 92150-1916  | 8        |
| BOLT,SOCKET,6X20 (Ref # 92153)   | 92153-1031  | 1        |
| DAMPER (Ref # 92161)             | 92161-0124  | 1        |
| SCREW,6X14 (Ref # 92172)         | 92172-0187  | 3        |