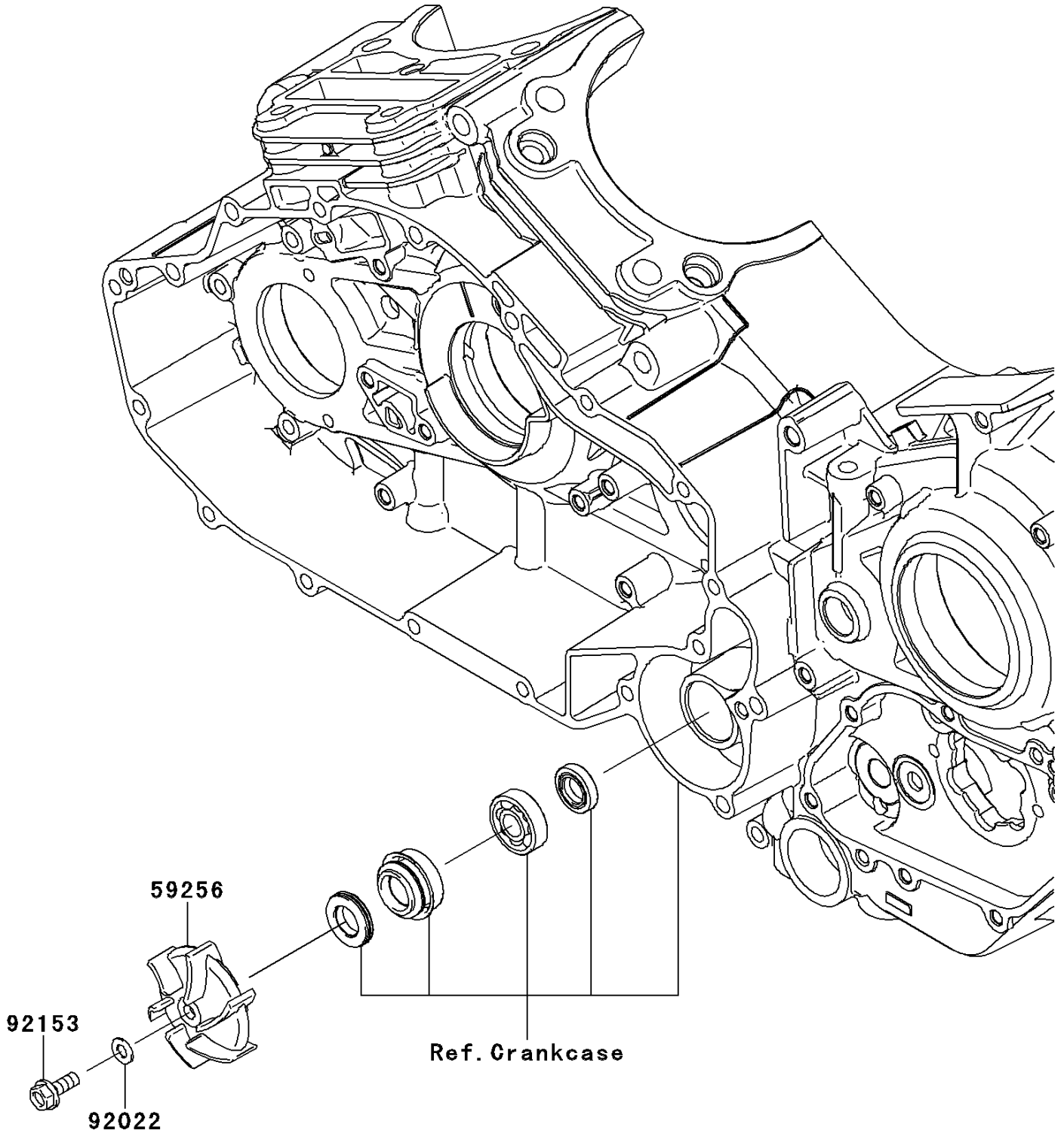


2009 Vulcan® 1700 Voyager® PARTS DIAGRAM

Water Pump

E3031



2009 Vulcan® 1700 Voyager® PARTS LIST

Water Pump

ITEM NAME	PART NUMBER	QUANTITY
IMPELLER (Ref # 59256)	59256-0002	1
WASHER,6.1X12X1 (Ref # 92022)	92022-077	1
BOLT,LEFT HANDED,6X16 (Ref # 92153)	92153-0323	1