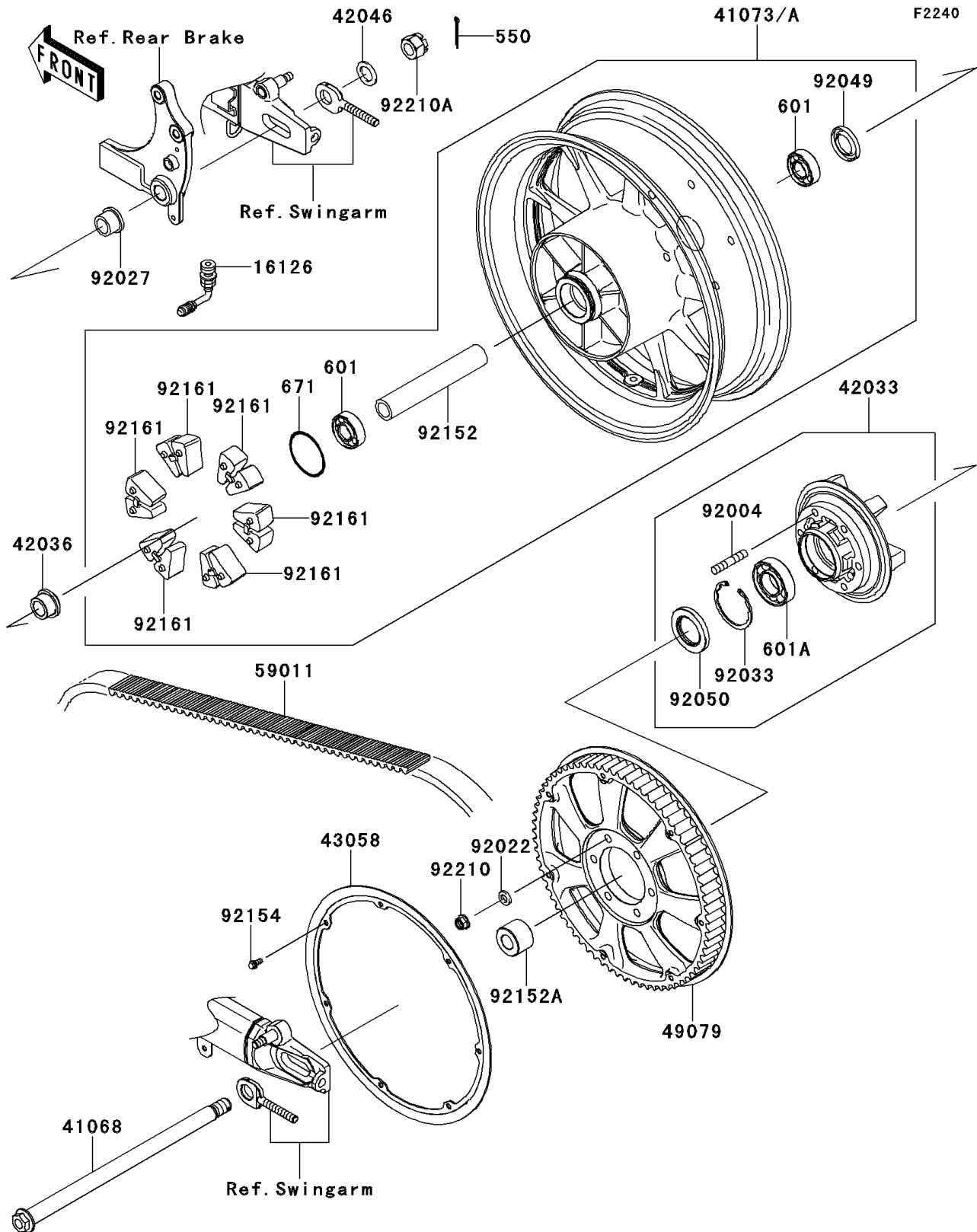


2011 VULCAN® 1700 VOYAGER® PARTS DIAGRAM

Rear Wheel/Chain



2011 VULCAN® 1700 VOYAGER® PARTS LIST

Rear Wheel/Chain

ITEM NAME	PART NUMBER	QUANTITY
PIN-COTTER,4.0X35 (Ref # 550)	550AA4035	1
BEARING-BALL,6204UUC3 (Ref # 601)	601B6204UU	2
BEARING-BALL,#6206UUC3 (Ref # 601A)	601B6206UU	1
O RING,60MM (Ref # 671)	671B2560	1
VALVE (Ref # 16126)	16126-1365	1
AXLE,RR (Ref # 41068)	41068-0057	1
WHEEL-ASSY,RR,BLACK (Ref # 41073)	41073-0136-18	1
COUPLING-ASSY,RR HUB (Ref # 42033)	42033-0031	1
SLEEVE,RR HUB COUPLING (Ref # 42036)	42036-0060	1
WASHER,21X33X2.6 (Ref # 42046)	42046-003	1
RING,PULLEY (Ref # 43058)	43058-0033	1
PULLEY-BELT (Ref # 49079)	49079-0018	1
BELT,DRIVE,139T (Ref # 59011)	59011-0020	1
STUD,10X35 (Ref # 92004)	92004-0016	6
WASHER,10.5X19X3.2 (Ref # 92022)	92022-1820	6
COLLAR,RR AXLE,L=21.5 (Ref # 92027)	92027-1902	1
RING-SNAP,62MM (Ref # 92033)	92033-1044	1
SEAL-OIL,BJN28475 (Ref # 92049)	92049-1056	1
SEAL-OIL,AJN40627 (Ref # 92050)	92050-027	1
COLLAR,RR HUB,L=172 (Ref # 92152)	92152-0640	1
COLLAR,RR AXLE,LH,L=28 (Ref # 92152A)	92152-0641	1
BOLT,FLANGED,6X12 (Ref # 92154)	92154-0346	7
DAMPER,SHOCK,RR HUB (Ref # 92161)	92161-0576	6
NUT,LOCK,FLANGED,10MM (Ref # 92210)	92210-0276	6
NUT,CASTLE,18MM (Ref # 92210A)	92210-1134	1