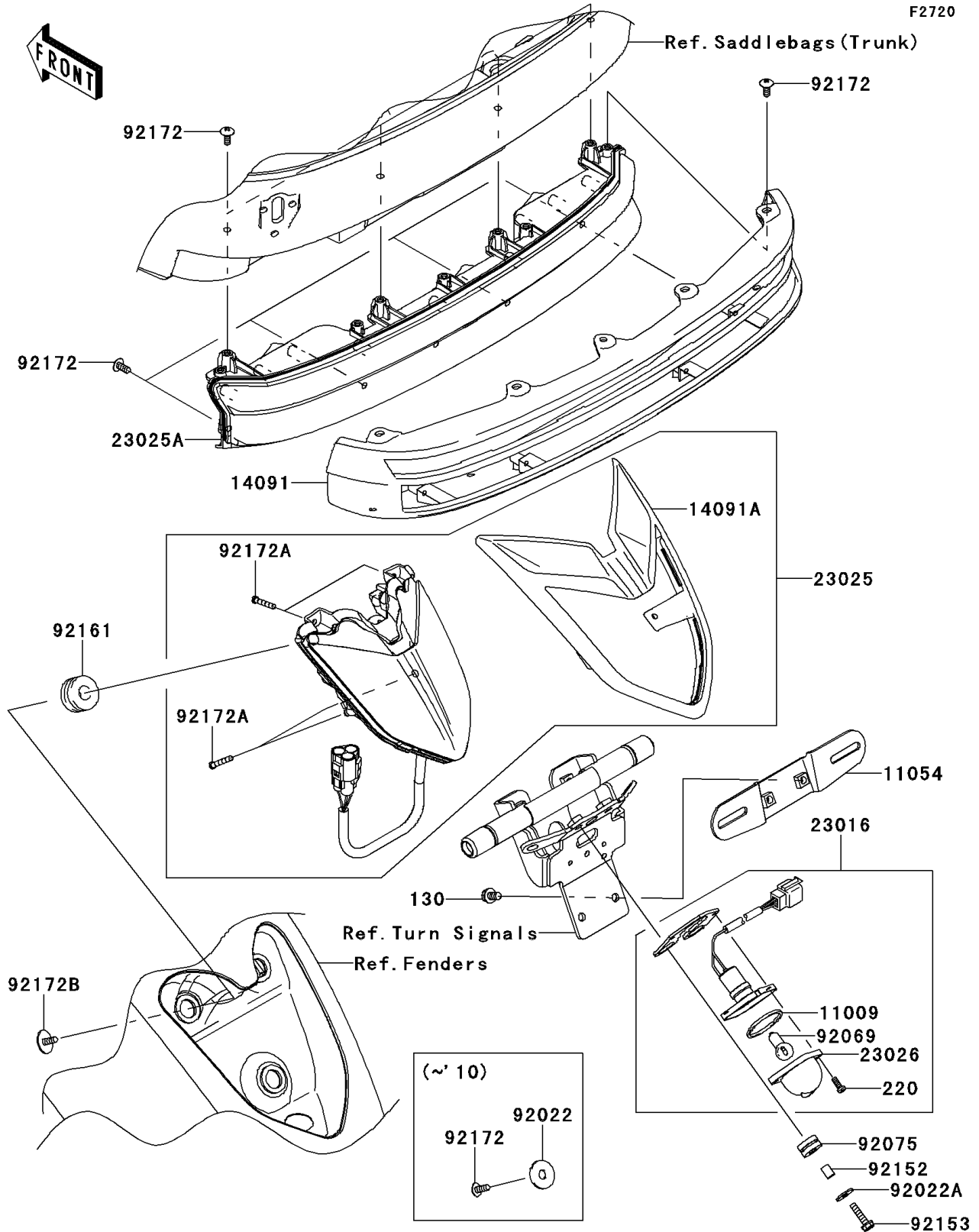


# 2009 Vulcan 1700 Voyager (Canada Only) PARTS DIAGRAM

Taillight(s)



## 2009 Vulcan 1700 Voyager (Canada Only) PARTS LIST

### Taillight(s)

ITEM NAME	PART NUMBER	QUANTITY
BOLT-FLANGED,6X12 (Ref # 130)	130BB0612	2
SCREW-PAN-CROSS,4X10 (Ref # 220)	220AA0410	2
GASKET,LICENSE PLATE LAMP (Ref # 11009)	11009-1372	1
BRACKET,LICENSE (Ref # 11054)	11054-1761	1
COVER,HIGH MOUNT LAMP (Ref # 14091)	14091-0955	1
COVER,TAIL LAMP (Ref # 14091A)	14091-1592	1
LAMP-ASSY,LICENSE (Ref # 23016)	23016-0032	1
LAMP-TAIL (Ref # 23025)	23025-0052	1
LAMP-TAIL,HIGH MOUNT (Ref # 23025A)	23025-0053	1
LENS,LAMP (Ref # 23026)	23026-1054	1
WASHER,5.5X20X1.2 (Ref # 92022)	92022-1405	3
WASHER,6.5X20X1.6 (Ref # 92022A)	92022-1557	2
BULB,12V 5W (Ref # 92069)	92069-1055	1
DAMPER (Ref # 92075)	92075-209	2
COLLAR,6.8X10X13 (Ref # 92152)	92152-0580	2
BOLT,FLANGED,6X25 (Ref # 92153)	92153-0514	2
DAMPER (Ref # 92161)	92161-0163	3
SCREW,TAPPING,5X14 (Ref # 92172)	92172-0006	16
SCREW,TAPPING,4X16 (Ref # 92172A)	92172-0392	4