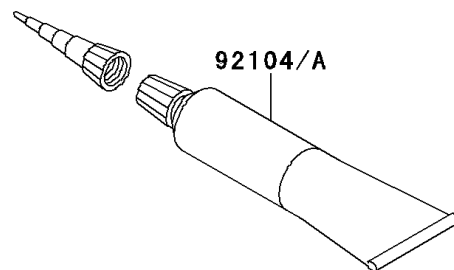
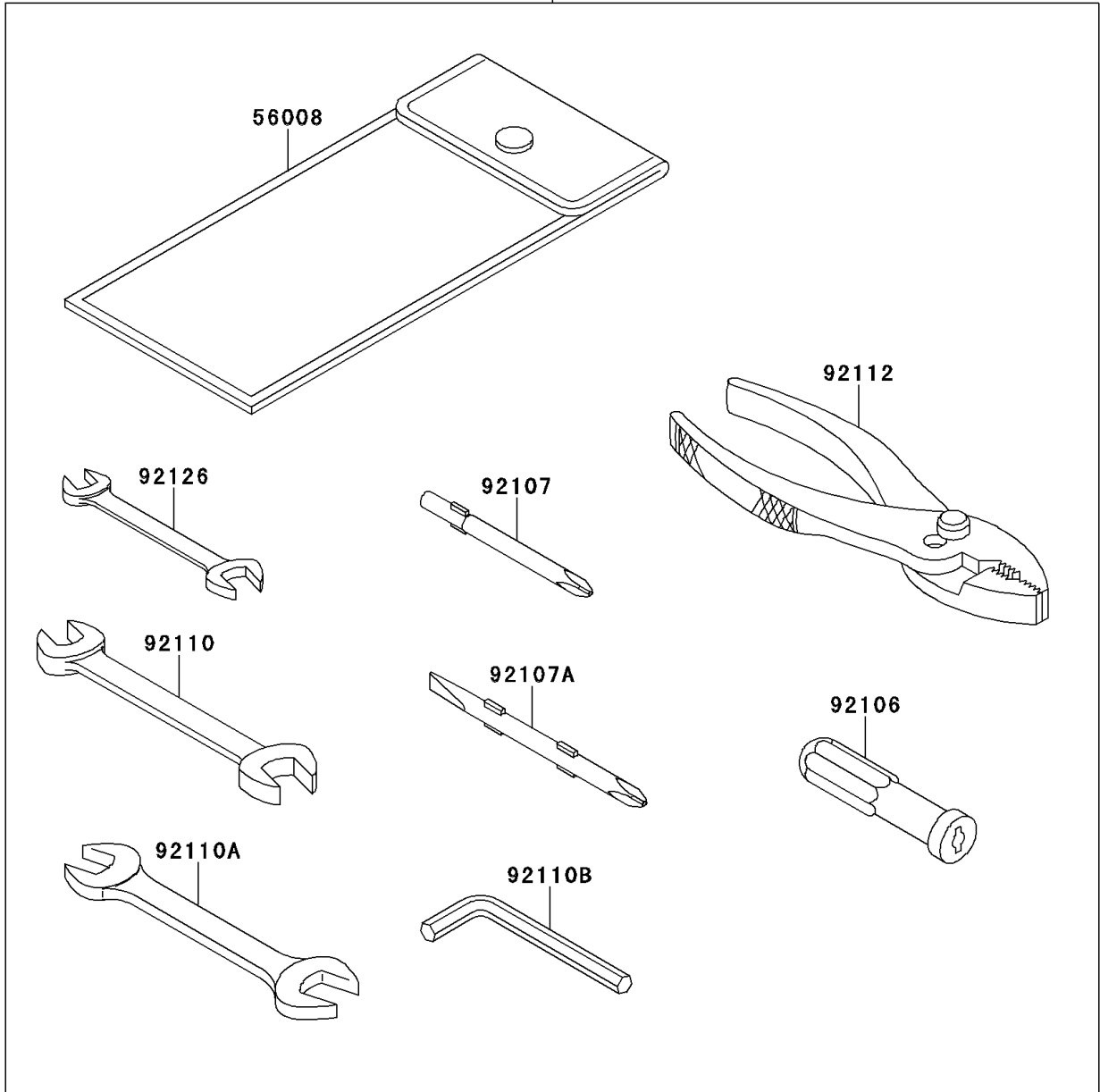


# 2009 Vulcan 1700 Voyager (Canada Only) PARTS DIAGRAM

Owner's Tools(A9F/A9FA)

56007

F2810



## 2009 Vulcan 1700 Voyager (Canada Only) PARTS LIST

### Owner's Tools(A9F/A9FA)

| ITEM NAME                                  | PART NUMBER | QUANTITY |
|--------------------------------------------|-------------|----------|
| TOOL-KIT (Ref # 56007)                     | 56007-0072  | 1        |
| BAG,TOOL (Ref # 56008)                     | 56008-0001  | 1        |
| GASKET-LIQUID,TB1211F,CLEAR (Ref # 92104)  | 92104-0004  | 1        |
| GASKET-LIQUID,TB1216B,BLACK (Ref # 92104A) | 92104-1064  | 1        |
| GRIP-SCREW DRIVER (Ref # 92106)            | 92106-1001  | 1        |
| TOOL-DRIVER,#3PHILLIPS (Ref # 92107)       | 92107-005   | 1        |
| TOOL-DRIVER,#2PHILLIPS&SLOT (Ref # 92107A) | 92107-1051  | 1        |
| TOOL-WRENCH,OPEN END,10X12 (Ref # 92110)   | 92110-1152  | 1        |
| TOOL-WRENCH,OPEN END,14X17 (Ref # 92110A)  | 92110-1153  | 1        |
| TOOL-WRENCH,ALLEN,4MM (Ref # 92110B)       | 92110-3703  | 1        |
| TOOL-PLIERS (Ref # 92112)                  | 92112-1001  | 1        |
| TOOL-WRENCH,OPEN END,8X10 (Ref # 92126)    | 92126-004   | 1        |