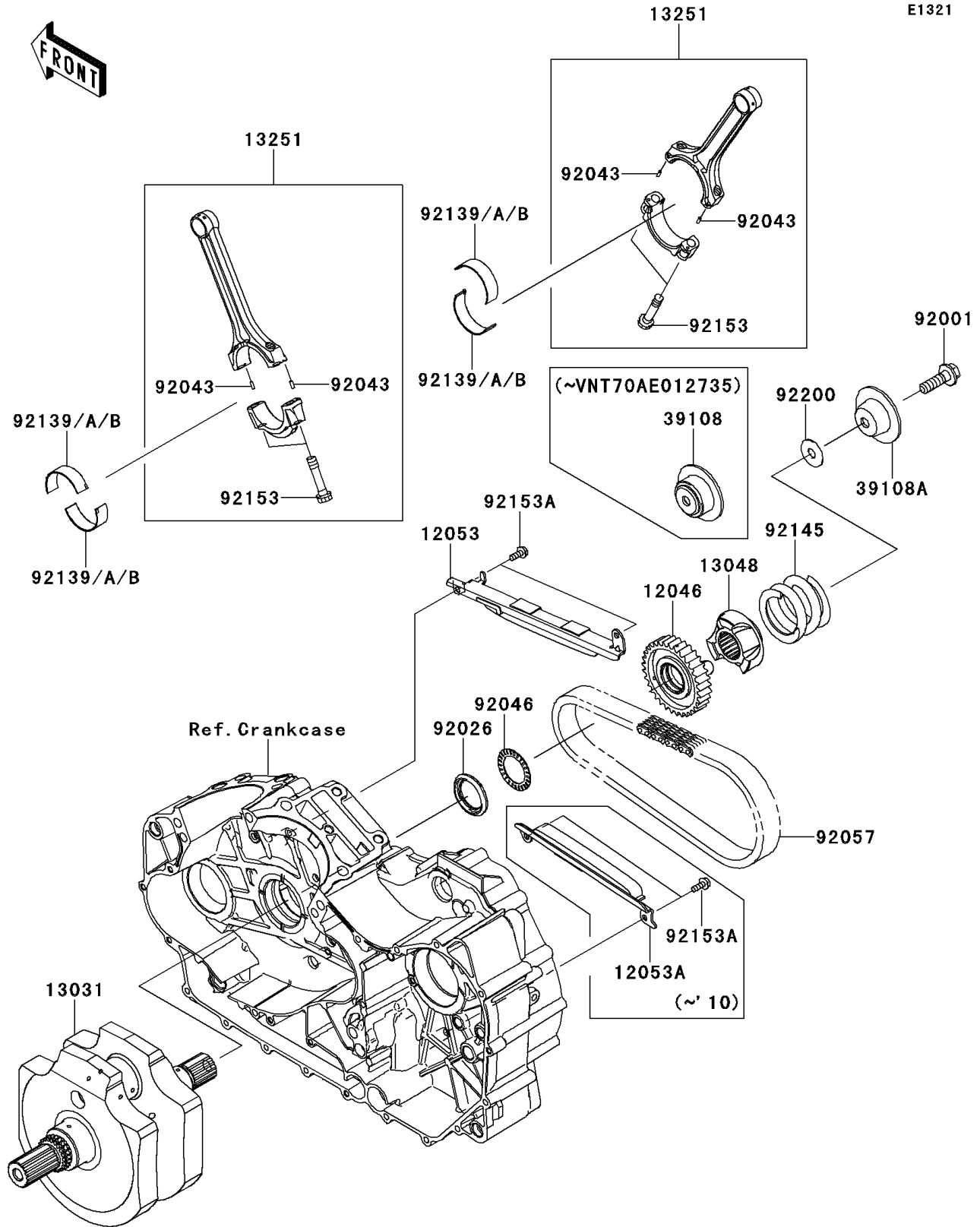


2011 VULCAN® 1700 VOYAGER® ABS PARTS DIAGRAM

Crankshaft



2011 VULCAN® 1700 VOYAGER® ABS PARTS LIST

Crankshaft

ITEM NAME	PART NUMBER	QUANTITY
-----------	-------------	----------