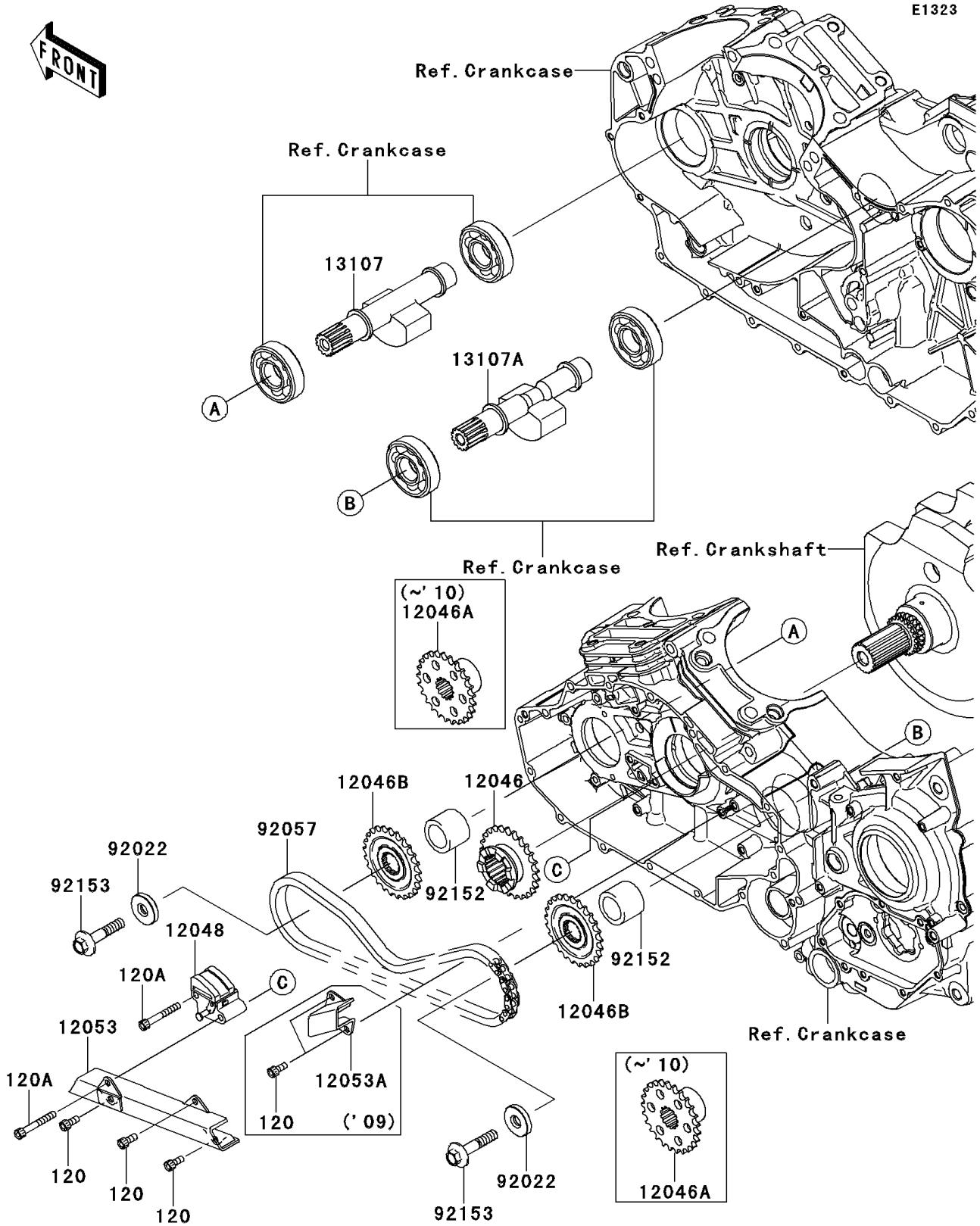


# 2009 Vulcan 1700 Voyager ABS PARTS DIAGRAM

Balancer

E1323



## 2009 Vulcan 1700 Voyager ABS PARTS LIST

### Balancer

ITEM NAME	PART NUMBER	QUANTITY
BOLT-SOCKET,6X14 (Ref # 120)	120CA0614	5
BOLT-SOCKET,6X45 (Ref # 120A)	120CA0645	2
SPROCKET,CRANK,25T (Ref # 12046)	12046-0066	1
SPROCKET,BALANCER,25T (Ref # 12046A)	12046-0070	2
TENSIONER-ASSY (Ref # 12048)	12048-0005	1
GUIDE-CHAIN,LONG (Ref # 12053)	12053-0003	1
GUIDE-CHAIN,SHORT (Ref # 12053A)	12053-0004	1
SHAFT,BALANCER,FR (Ref # 13107)	13107-0185	1
SHAFT,BALANCER,RR (Ref # 13107A)	13107-0211	1
WASHER,10X33X6 (Ref # 92022)	92022-1906	2
CHAIN,DID 06HF-SDH (Ref # 92057)	92057-0152	1
BOLT,10X50 (Ref # 92153)	92153-0317	2