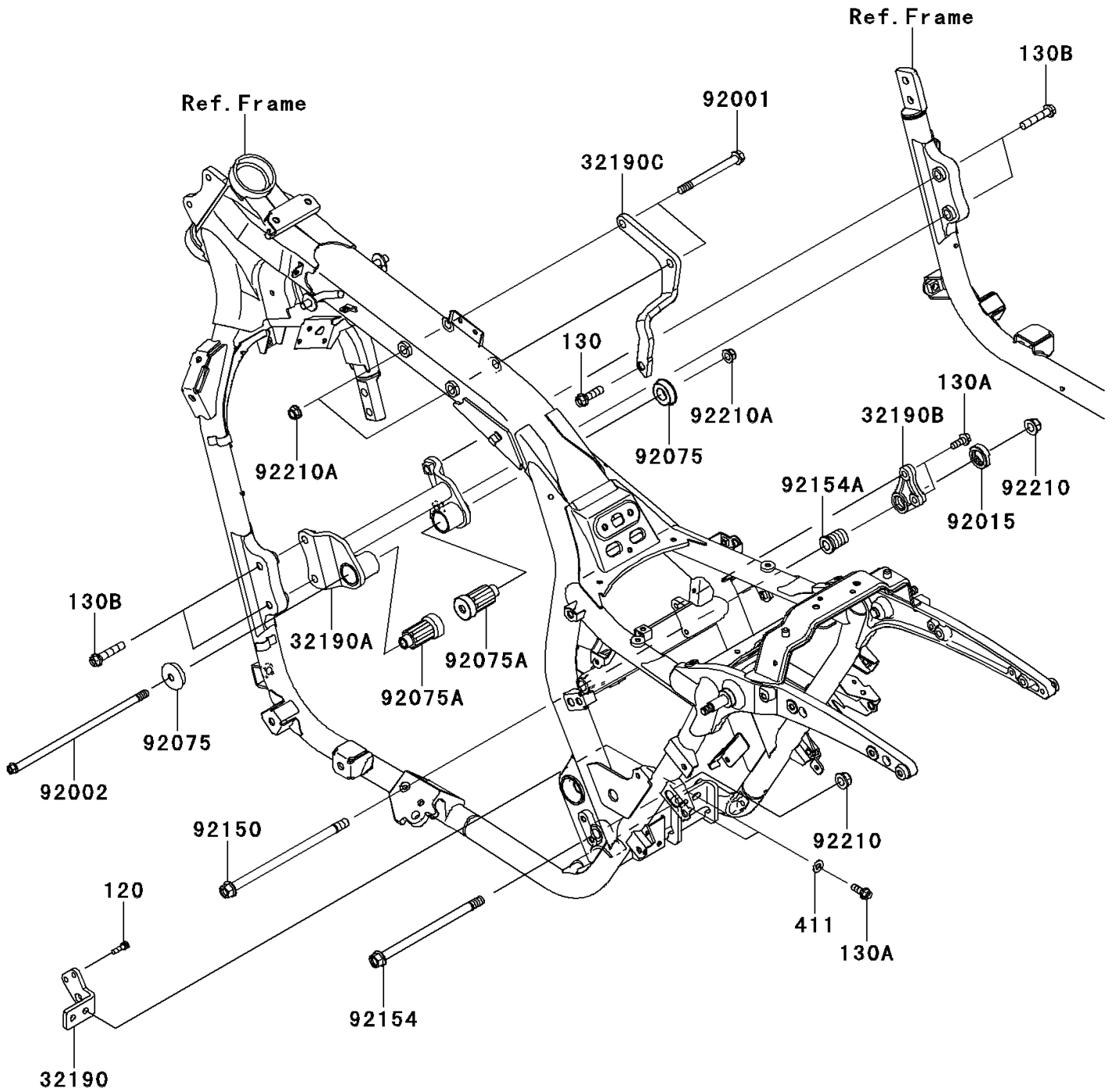


2011 VULCAN® 1700 VOYAGER® ABS PARTS DIAGRAM

Frame Fittings

F2131



2011 VULCAN® 1700 VOYAGER® ABS PARTS LIST

Frame Fittings

| ITEM NAME | PART NUMBER | QUANTITY |
|---|----------------|----------|
| BOLT-SOCKET,6X20 (Ref # 120) | 120CA0620 | 2 |
| BOLT-FLANGED,10X35 (Ref # 130) | 130BA1035 | 1 |
| BOLT-FLANGED,8X22 (Ref # 130A) | 130BB0822 | 4 |
| BOLT-FLANGED,10X50 (Ref # 130B) | 130BB1050 | 4 |
| WASHER-PLAIN,8.5X18X1.6 (Ref # 411) | 411AB0800 | 2 |
| BRACKET-ENGINE,RR,LWR (Ref # 32190) | 32190-0396 | 1 |
| BRACKET-ENGINE,FR,F.S.BLACK (Ref # 32190A) | 32190-0410-18R | 1 |
| BRACKET-ENGINE,RR,UPP,BLACK (Ref # 32190B) | 32190-0446-18R | 1 |
| BRACKET-ENGINE,CYLINDER HEAD (Ref # 32190C) | 32190-0452 | 1 |
| BOLT,FLANGED,10X110 (Ref # 92001) | 92001-1602 | 2 |
| BOLT,FLANGED,10X260 (Ref # 92002) | 92002-1454 | 1 |
| NUT,ENGINE MOUNT,22MM (Ref # 92015) | 92015-1846 | 1 |
| DAMPER,ENGINE MOUNT (Ref # 92075) | 92075-1738 | 2 |
| DAMPER,ENGINE MOUNT,MAIN (Ref # 92075A) | 92075-1739 | 2 |
| BOLT,FLANGED,12X228 (Ref # 92150) | 92150-1952 | 1 |
| BOLT,FLANGED,12X200 (Ref # 92154) | 92154-0244 | 1 |
| BOLT,ENGINE MOUNT,22X33.5 (Ref # 92154A) | 92154-0245 | 1 |
| NUT,LOCK,FLANGED,12MM (Ref # 92210) | 92210-0110 | 2 |
| NUT,LOCK,FLANGED,10MM (Ref # 92210A) | 92210-1081 | 3 |