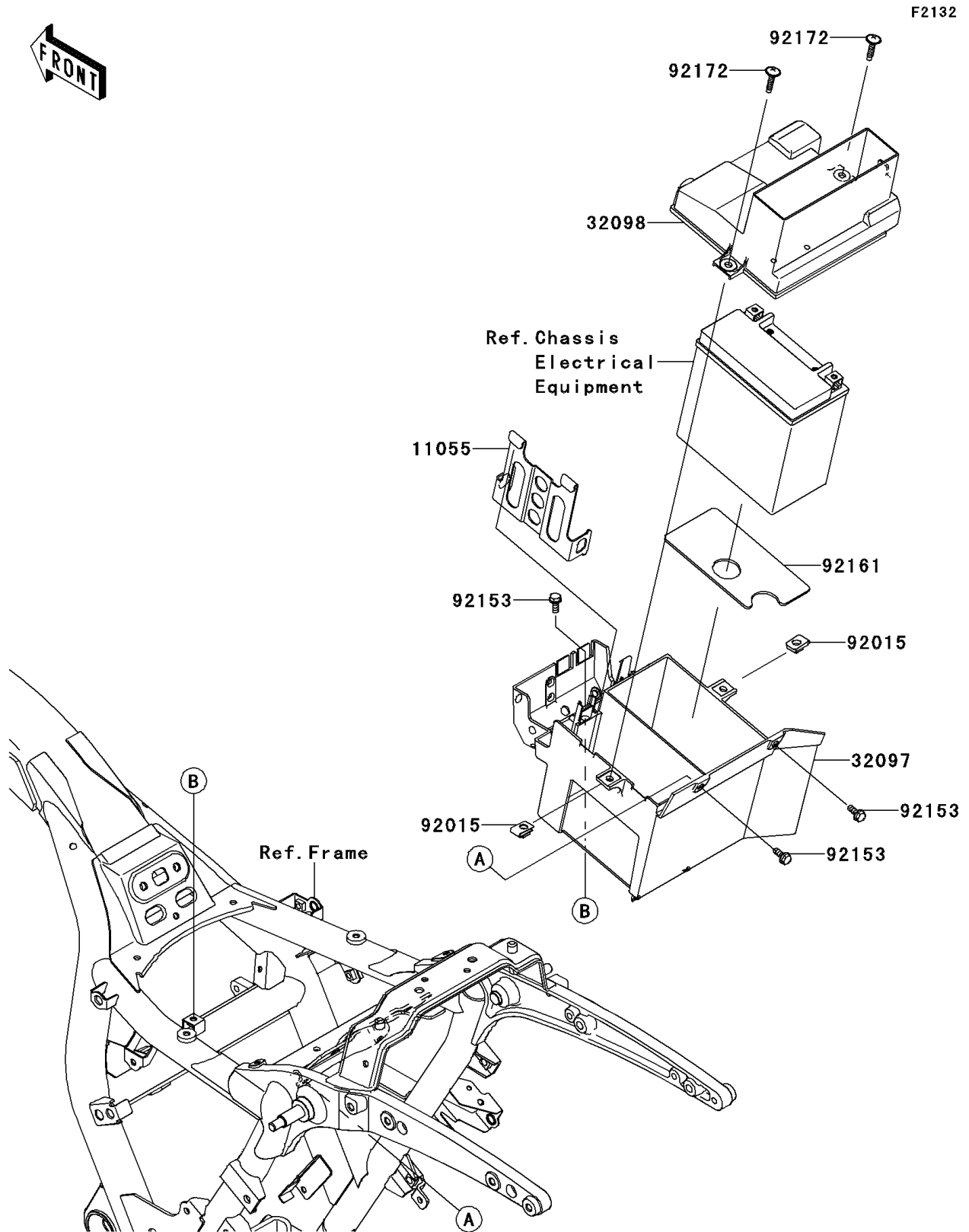


# 2012 VULCAN® 1700 VOYAGER® ABS PARTS DIAGRAM

Battery Case



# 2012 VULCAN® 1700 VOYAGER® ABS PARTS LIST

Battery Case

ITEM NAME	PART NUMBER	QUANTITY
-----------	-------------	----------