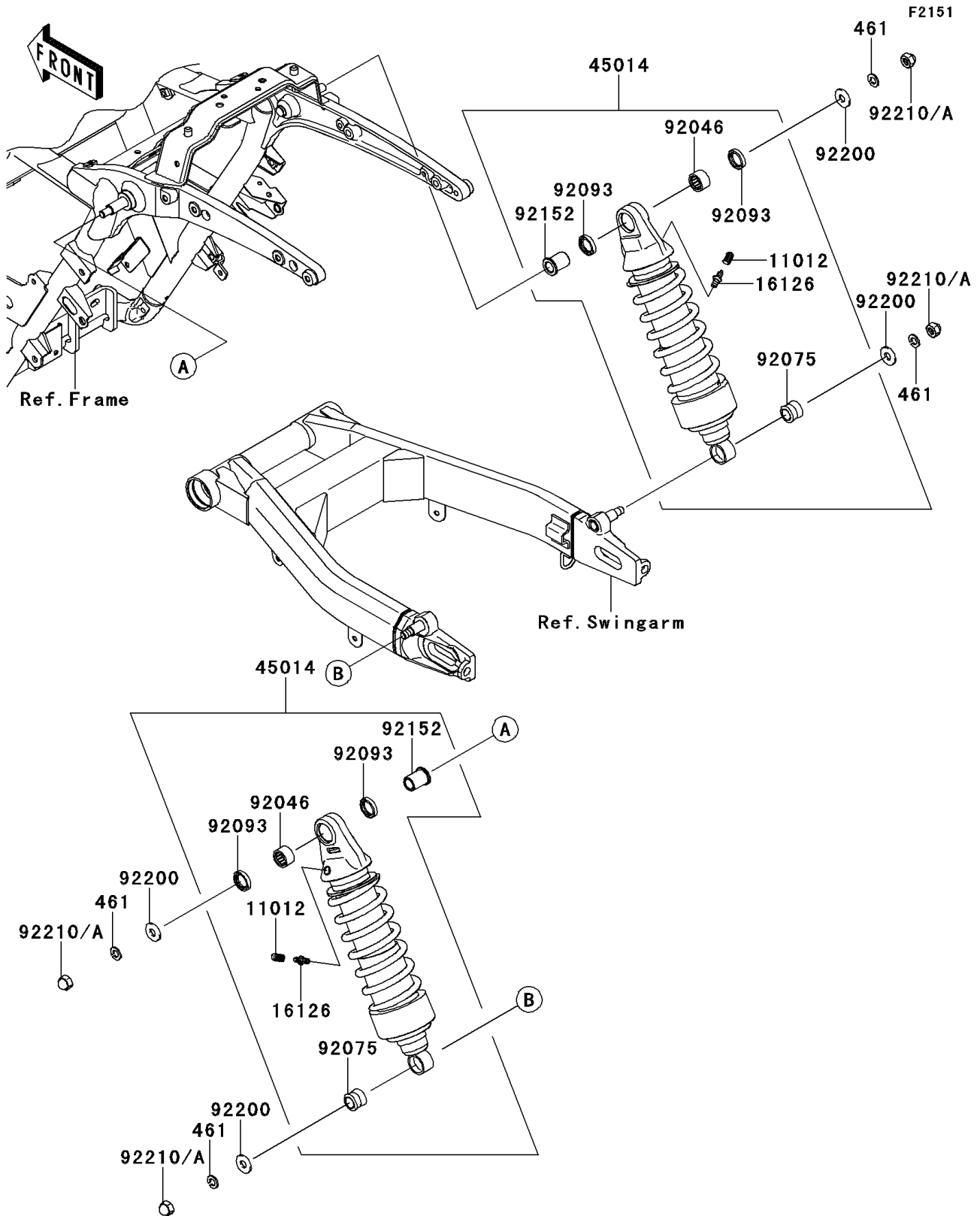


# 2009 Vulcan 1700 Voyager ABS (Canada Only) PARTS DIAGRAM

Suspension/Shock Absorber



## 2009 Vulcan 1700 Voyager ABS (Canada Only) PARTS LIST

### Suspension/Shock Absorber

ITEM NAME	PART NUMBER	QUANTITY
WASHER-SPRING,10MM (Ref # 461)	461S1000	4
CAP (Ref # 11012)	11012-1283	2
VALVE,AIR (Ref # 16126)	16126-0013	2
SHOCKABSORBER (Ref # 45014)	45014-0208	2
BEARING-NEEDLE (Ref # 92046)	92046-1296	2
DAMPER,SHOCKABSORBER (Ref # 92075)	92075-1387	2
SEAL (Ref # 92093)	92093-1552	4
COLLAR (Ref # 92152)	92152-1336	2
WASHER,10.5X26X2.5 (Ref # 92200)	92200-1565	4
NUT,CAP,10MM (Ref # 92210A)	92210-1288	4