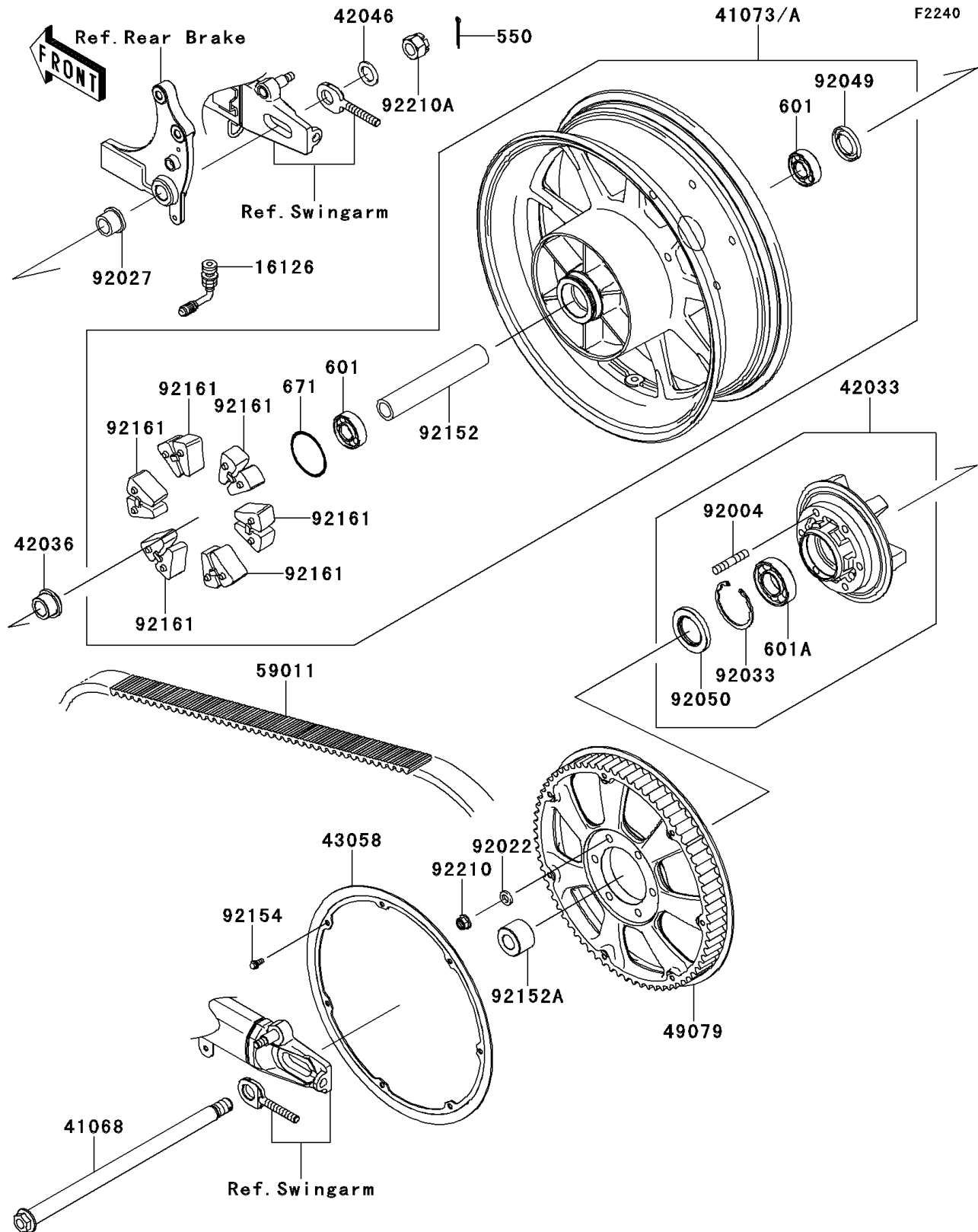


2010 Vulcan® 1700 Voyager® ABS PARTS DIAGRAM

Rear Wheel/Chain



2010 Vulcan® 1700 Voyager® ABS PARTS LIST

Rear Wheel/Chain

| ITEM NAME | PART NUMBER | QUANTITY |
|---------------------------------------|---------------|----------|
| PIN-COTTER,4.0X35 (Ref # 550) | 550AA4035 | 1 |
| BEARING-BALL,6204UUC3 (Ref # 601) | 601B6204UU | 2 |
| BEARING-BALL,#6206UUC3 (Ref # 601A) | 601B6206UU | 1 |
| O RING,60MM (Ref # 671) | 671B2560 | 1 |
| VALVE (Ref # 16126) | 16126-1365 | 1 |
| AXLE,RR (Ref # 41068) | 41068-0057 | 1 |
| WHEEL-ASSY,RR,BLACK (Ref # 41073) | 41073-0140-18 | 1 |
| COUPLING-ASSY,RR HUB (Ref # 42033) | 42033-0031 | 1 |
| SLEEVE,RR HUB COUPLING (Ref # 42036) | 42036-0060 | 1 |
| WASHER,21X33X2.6 (Ref # 42046) | 42046-003 | 1 |
| RING,PULLEY (Ref # 43058) | 43058-0033 | 1 |
| PULLEY-BELT (Ref # 49079) | 49079-0018 | 1 |
| BELT,DRIVE,139T (Ref # 59011) | 59011-0020 | 1 |
| STUD,10X35 (Ref # 92004) | 92004-0016 | 6 |
| WASHER,10.5X19X3.2 (Ref # 92022) | 92022-1820 | 6 |
| COLLAR,RR AXLE,L=21.5 (Ref # 92027) | 92027-1902 | 1 |
| RING-SNAP,62MM (Ref # 92033) | 92033-1044 | 1 |
| SEAL-OIL,BJN28475 (Ref # 92049) | 92049-1056 | 1 |
| SEAL-OIL,AJN40627 (Ref # 92050) | 92050-027 | 1 |
| COLLAR,RR HUB,L=172 (Ref # 92152) | 92152-0640 | 1 |
| COLLAR,RR AXLE,LH,L=28 (Ref # 92152A) | 92152-0641 | 1 |
| BOLT,FLANGED,6X12 (Ref # 92154) | 92154-0346 | 7 |
| DAMPER,SHOCK,RR HUB (Ref # 92161) | 92161-0576 | 6 |
| NUT,LOCK,FLANGED,10MM (Ref # 92210) | 92210-0276 | 6 |
| NUT,CASTLE,18MM (Ref # 92210A) | 92210-1134 | 1 |