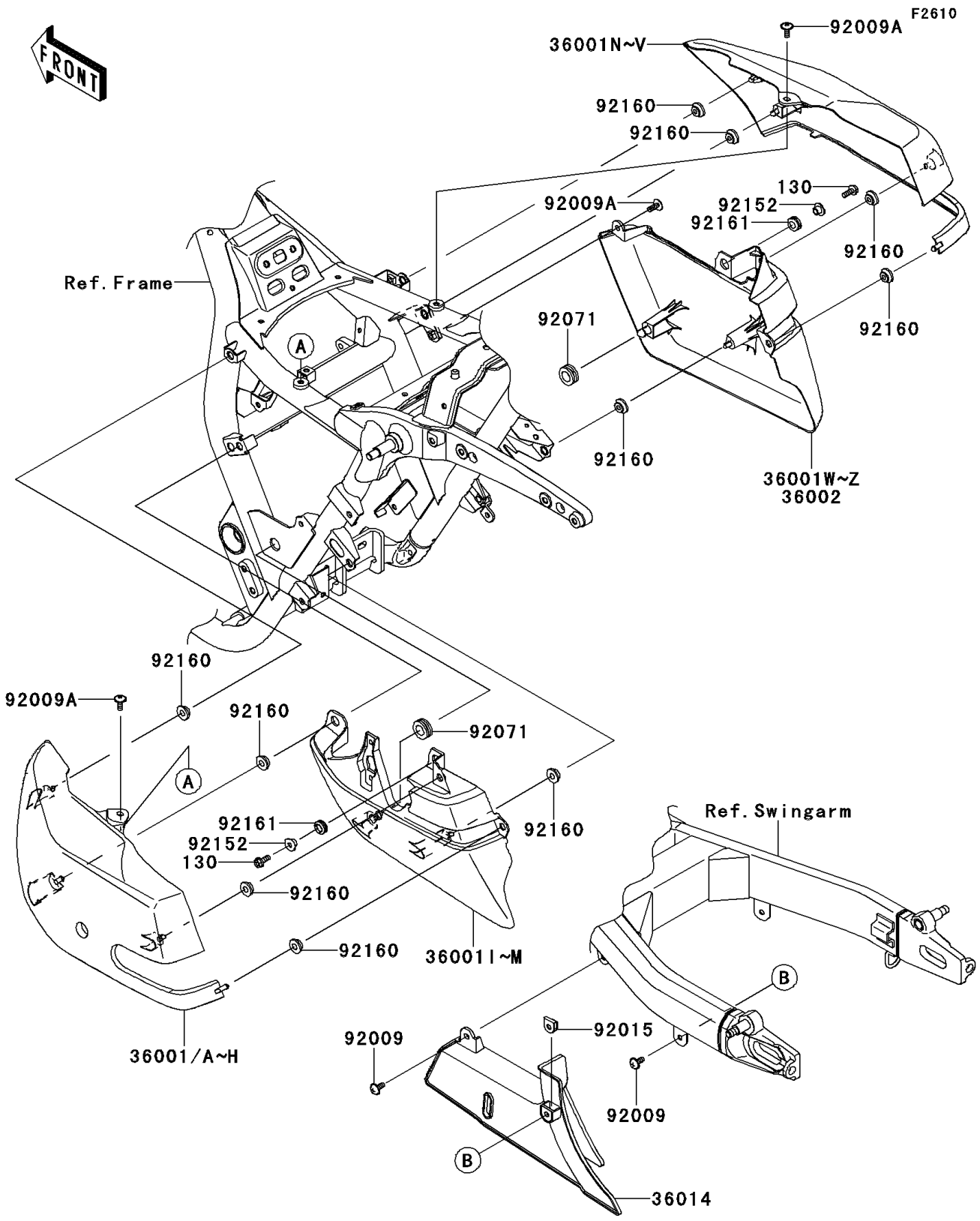


# 2011 VULCAN® 1700 VOYAGER® ABS PARTS DIAGRAM

Side Covers/Chain Cover



## 2011 VULCAN® 1700 VOYAGER® ABS PARTS LIST

### Side Covers/Chain Cover

ITEM NAME	PART NUMBER	QUANTITY
BOLT-FLANGED,6X16 (Ref # 130)	130BA0616	2
COVER-SIDE,LH,UPP,P.M.GRAY (Ref # 36001B)	36001-0139-10H	1
COVER-SIDE,LH,LWR,EBONY (Ref # 36001I)	36001-0140-H8	1
COVER-SIDE,RH,UPP,P.M.GRAY (Ref # 36001P)	36001-0141-10H	1
COVER-SIDE,RH,LWR,EBONY (Ref # 36001W)	36001-0142-H8	1
CASE-CHAIN (Ref # 36014)	36014-0042	1
SCREW,6X14 (Ref # 92009)	92009-1555	2
SCREW,6X16 (Ref # 92009A)	92009-1621	3
NUT,CLIP,6MM (Ref # 92015)	92015-1904	1
GROMMET (Ref # 92071)	92071-1131	2
COLLAR (Ref # 92152)	92152-0295	2
DAMPER (Ref # 92160)	92160-1613	10
DAMPER (Ref # 92161)	92161-0266	2
COVER-SIDE,LH,UPP,C.I.BLUE (Ref # 36001E)	36001-0139-25U	1
COVER-SIDE,LH,LWR,A.SILVER (Ref # 36001K)	36001-0140-17M	1
COVER-SIDE,RH,UPP,C.I.BLUE (Ref # 36001S)	36001-0141-25U	1
COVER-SIDE,RH,LWR,A.SILVER (Ref # 36001Y)	36001-0142-17M	1