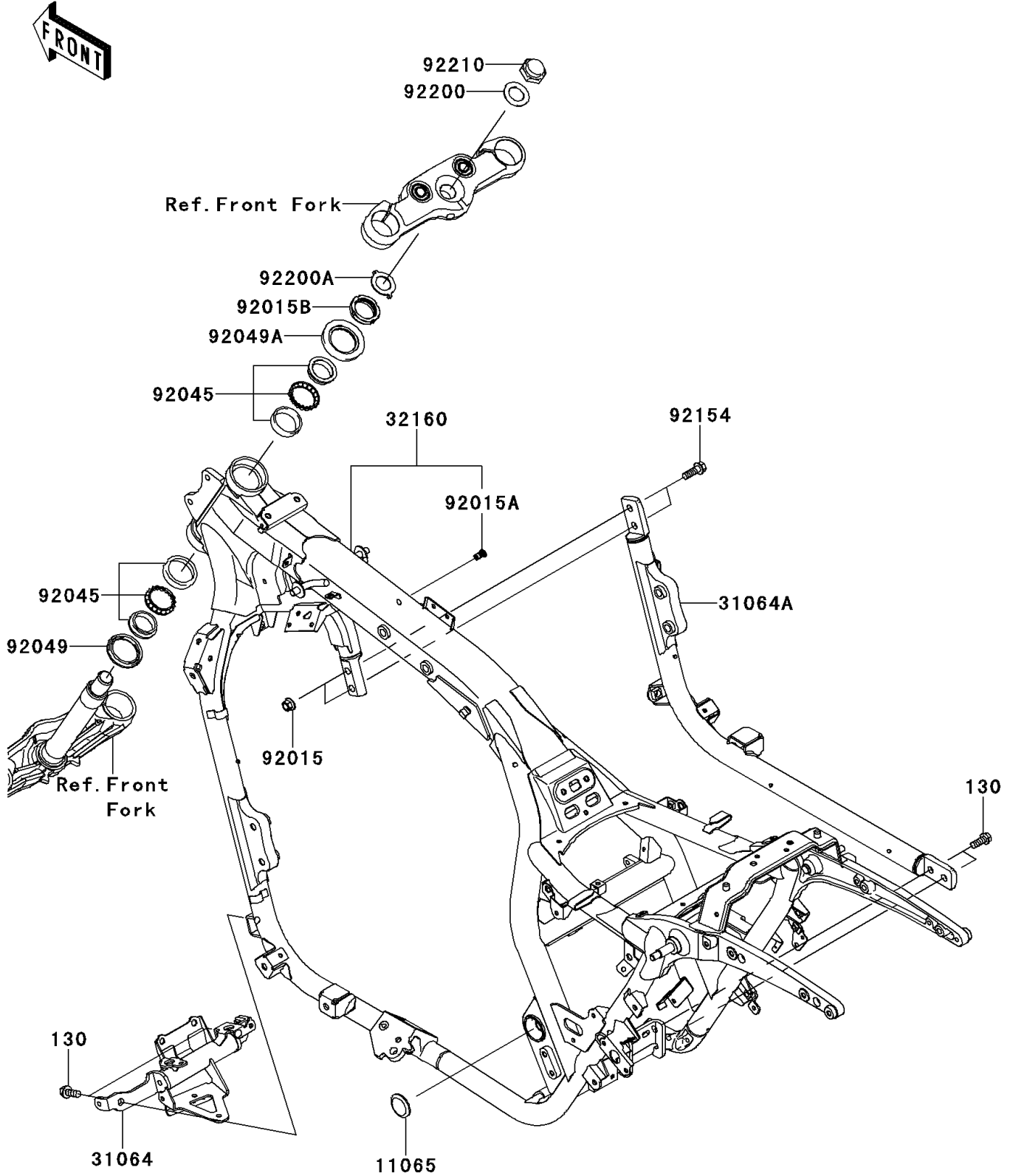


2013 VULCAN 1700 VAQUERO (Canadian) PARTS DIAGRAM

Frame

F2120



2013 VULCAN 1700 VAQUERO (Canadian) PARTS LIST

Frame

| ITEM NAME | PART NUMBER | QUANTITY |
|--|----------------|----------|
| BOLT-FLANGED,10X25 (Ref # 130) | 130BB1025 | 4 |
| CAP (Ref # 11065) | 11065-0320 | 1 |
| PIPE-COMP,F.S.BLACK (Ref # 31064) | 31064-0207-18R | 1 |
| PIPE-COMP,DOWNTUBE,RH,BLACK (Ref # 31064A) | 31064-0209-18R | 1 |
| FRAME-COMP,F.S.BLACK (Ref # 32160) | 32160-0536-18R | 1 |
| NUT,FLANGED,10MM (Ref # 92015) | 92015-1727 | 2 |
| NUT,POP,6MM,L=16.5 (Ref # 92015A) | 92015-1792 | 1 |
| NUT,STEERING STEM,35MM (Ref # 92015B) | 92015-1848 | 1 |
| BEARING-BALL,SF07A17PX1V1 (Ref # 92045) | 92045-1384 | 2 |
| SEAL-OIL,XMHE 43 55 4J (Ref # 92049) | 92049-1383 | 1 |
| SEAL-OIL,MX043N2 (Ref # 92049A) | 92049-1483 | 1 |
| BOLT,FLANGED,10X30 (Ref # 92154) | 92154-0156 | 2 |
| WASHER,25.5X42X2.3 (Ref # 92200) | 92200-0105 | 1 |
| WASHER,CLAW,25.5X40X2.3 (Ref # 92200A) | 92200-1083 | 1 |
| NUT,CAP,25MM (Ref # 92210) | 92210-1166 | 1 |