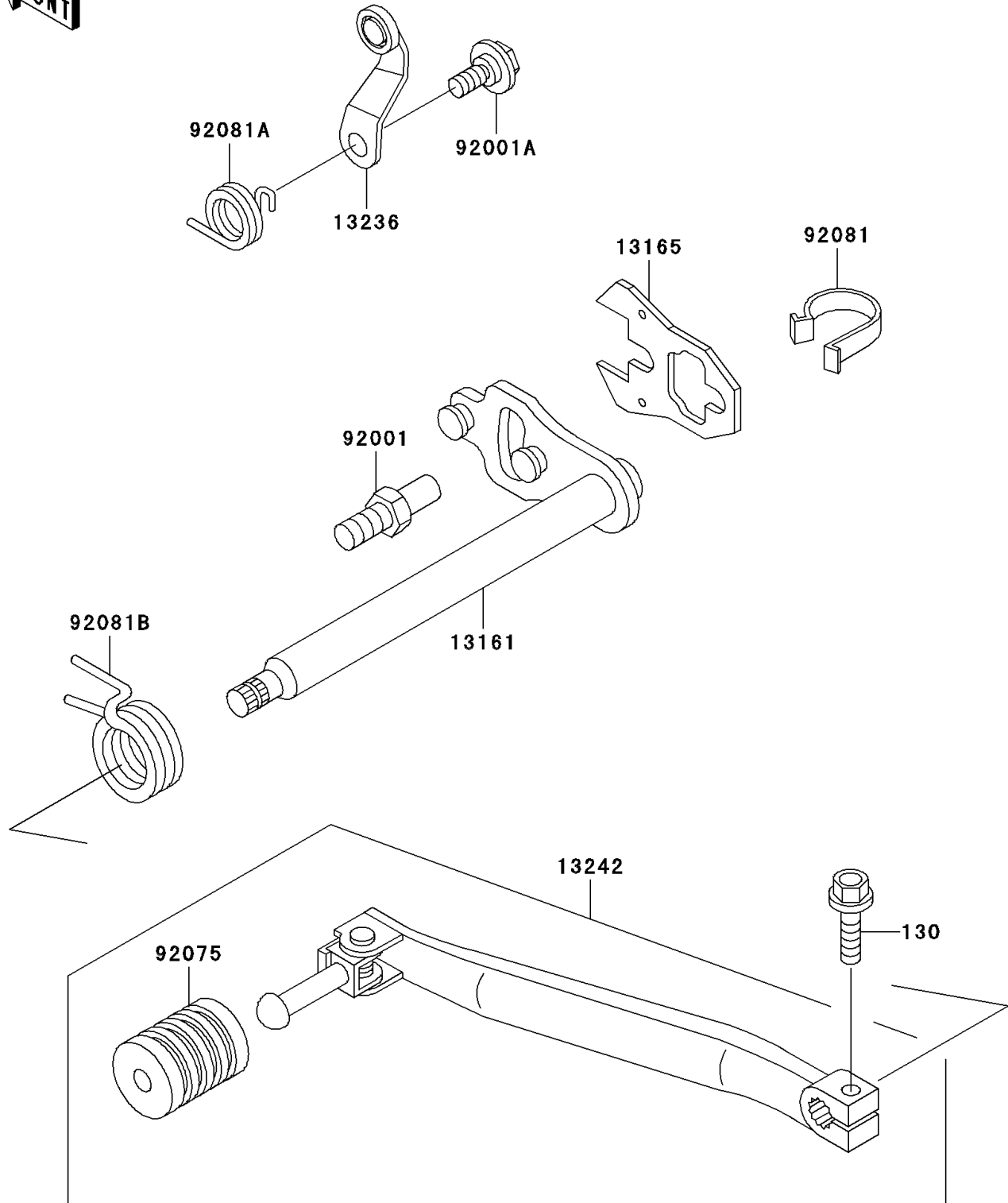


1999 KLR650 PARTS DIAGRAM

Gear Change Mechanism

E1370



1999 KLR650 PARTS LIST

Gear Change Mechanism

| ITEM NAME | PART NUMBER | QUANTITY |
|---|-------------|----------|
| BOLT-FLANGED,6X20,BLACK (Ref # 130) | 130S0620 | 1 |
| LEVER-COMP-CHANGE SHAFT (Ref # 13161) | 13161-1104 | 1 |
| PAWL (Ref # 13165) | 13165-1120 | 1 |
| LEVER-COMP (Ref # 13236) | 13236-1101 | 1 |
| LEVER-ASSY-CHANGE,PEDAL (Ref # 13242) | 13242-1233 | 1 |
| BOLT,RETURN SPRING (Ref # 92001) | 92001-1455 | 1 |
| BOLT,GEAR CHANGE LEVER (Ref # 92001A) | 92001-1715 | 1 |
| DAMPER,CHANGE PEDAL (Ref # 92075) | 92075-1944 | 1 |
| SPRING,CHANGE LEVER (Ref # 92081) | 92081-1493 | 1 |
| SPRING (Ref # 92081A) | 92081-1496 | 1 |
| SPRING,CHANGE PEDAL RETURN (Ref # 92081B) | 92081-1750 | 1 |