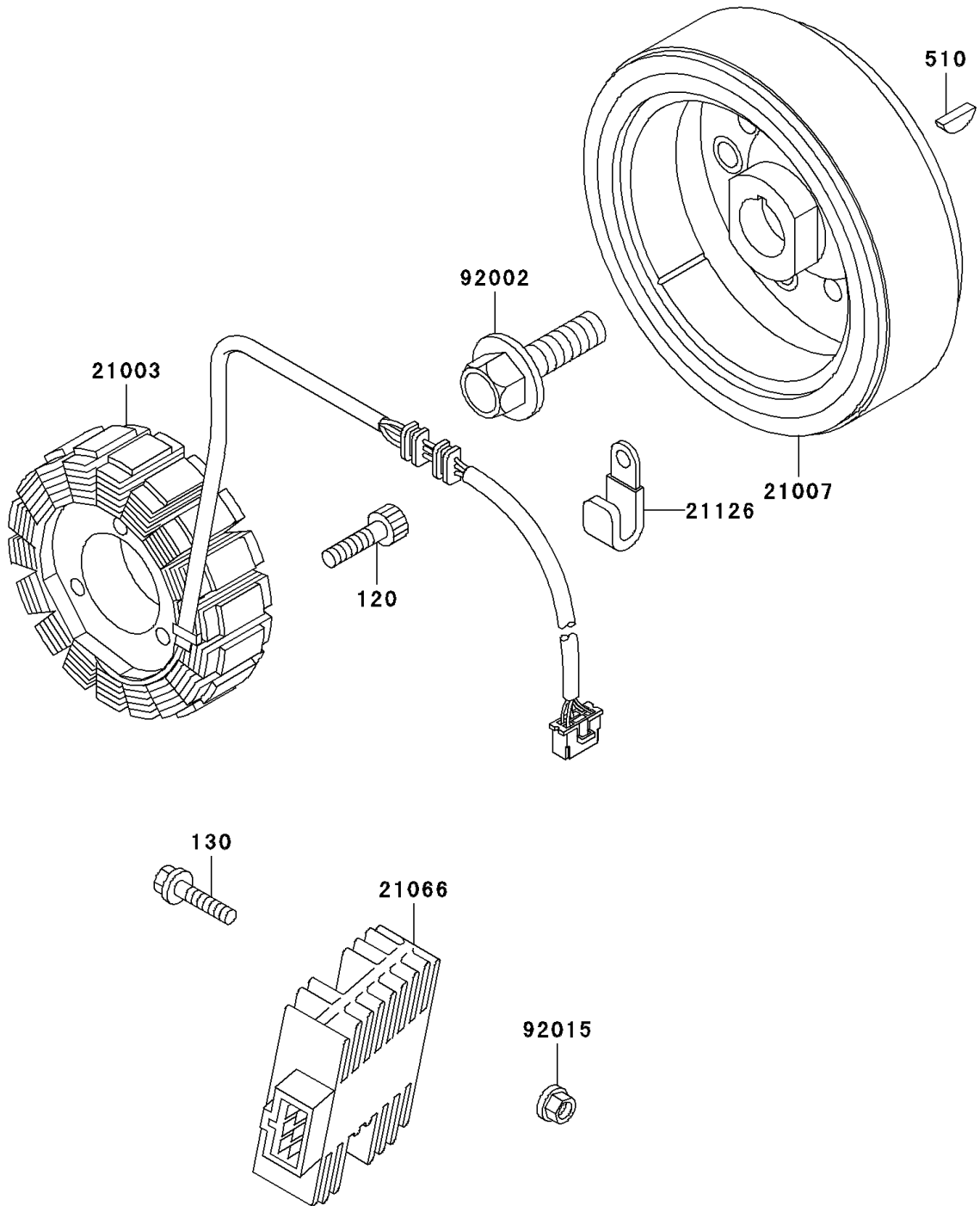


1996 KLR650 PARTS DIAGRAM

Generator

E1810



1996 KLR650 PARTS LIST

Generator

| ITEM NAME | PART NUMBER | QUANTITY |
|------------------------------------|-------------|----------|
| BOLT-SOCKET,6X28 (Ref # 120) | 120P0628 | 3 |
| BOLT-FLANGED,6X25 (Ref # 130) | 130J0625 | 2 |
| KEY-WOODRUFF (Ref # 510) | 510A4200 | 1 |
| STATOR (Ref # 21003) | 21003-1170 | 1 |
| ROTOR (Ref # 21007) | 21007-1283 | 1 |
| REGULATOR-VOLTAGE (Ref # 21066) | 21066-1038 | 1 |
| CLAMP,WIRING HARNESS (Ref # 21126) | 21126-008 | 1 |
| BOLT,FLANGED,12X40 (Ref # 92002) | 92002-1693 | 1 |
| NUT,FLANGED,6MM (Ref # 92015) | 92015-1078 | 2 |