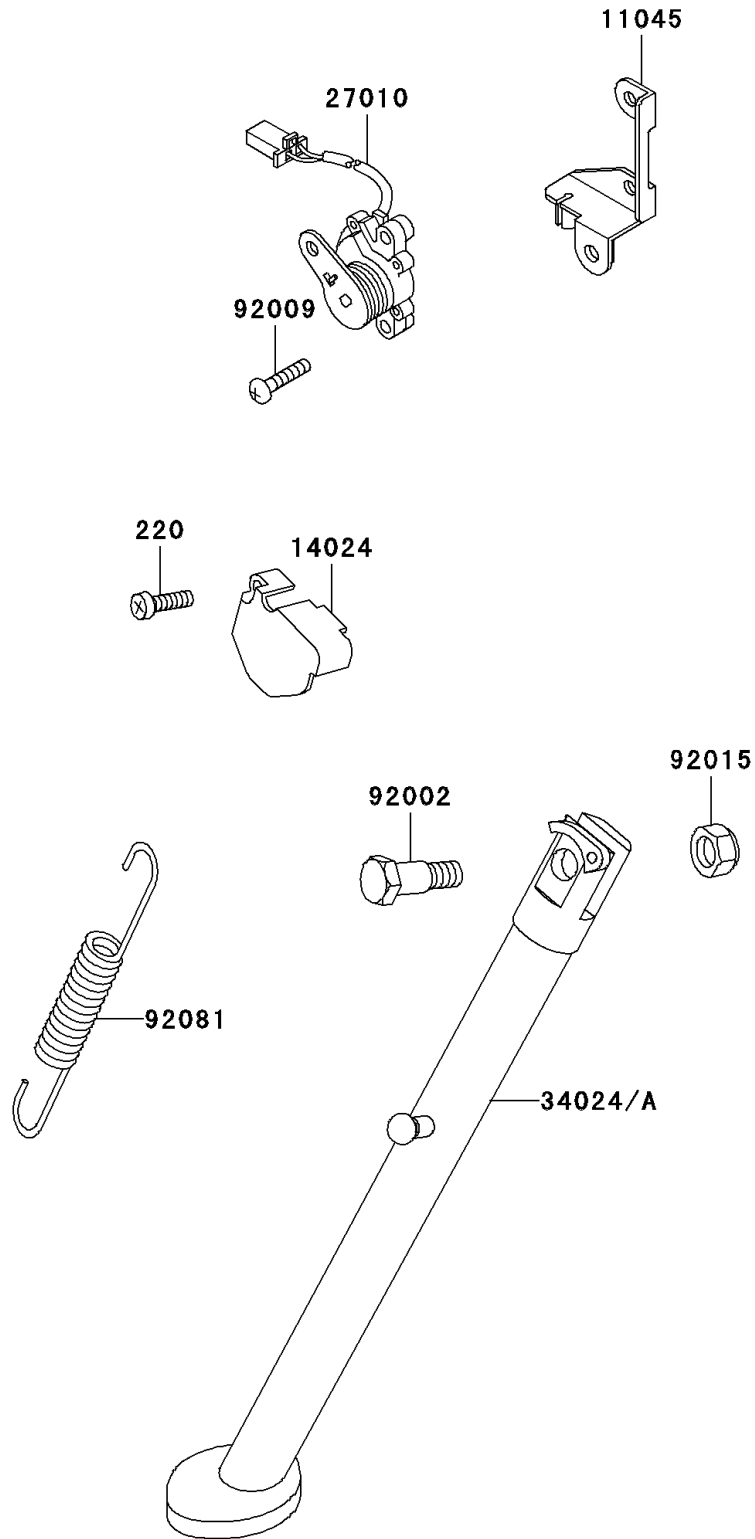


1998 KLR650 PARTS DIAGRAM

Stand(s)

F2190



1998 KLR650 PARTS LIST

Stand(s)

| ITEM NAME | PART NUMBER | QUANTITY |
|---|-------------|----------|
| SCREW-PAN-CROS,5X16,BLACK (Ref # 220) | 220C0516 | 1 |
| COVER,SIDE STAND (Ref # 14024) | 14024-1474 | 1 |
| SWITCH,SIDE STAND (Ref # 27010) | 27010-1257 | 1 |
| STAND-SIDE,SILVER NO.25 (Ref # 34024) | 34024-1221 | 1 |
| BOLT,SIDE STAND (Ref # 92002) | 92002-1813 | 1 |
| SCREW,5X25 (Ref # 92009) | 92009-1657 | 2 |
| NUT,LOCK,10MM,BLACK (Ref # 92015) | 92015-1188 | 1 |
| SPRING,SIDE STAND (Ref # 92081) | 92081-1376 | 1 |
| BRACKET,SIDE STAND SWITCH (Ref # 11045) | 11045-1364 | 1 |