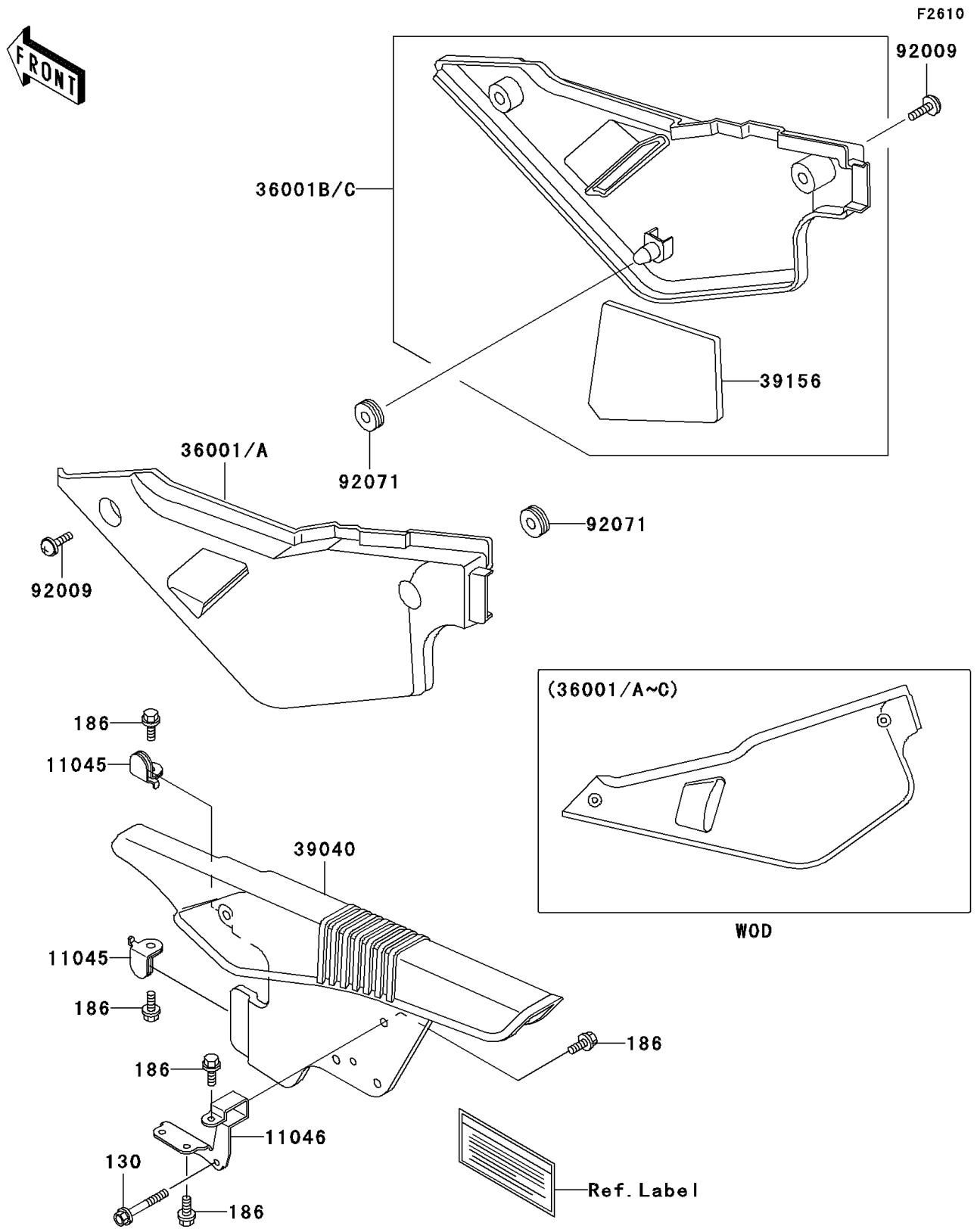


# 1997 KLR650 PARTS DIAGRAM

Side Covers/Chain Cover



# 1997 KLR650 PARTS LIST

## Side Covers/Chain Cover

| ITEM NAME                              | PART NUMBER   | QUANTITY |
|--|---------------|----------|
| BRACKET,CHAIN CASE,FR (Ref # 11045)    | 11045-1335    | 2        |
| BRACKET,CHAIN CASE,RR (Ref # 11046)    | 11046-1391    | 1        |
| COVER-SIDE,LH,F.B.GREEN (Ref # 36001)  | 36001-1346-59 | 1        |
| COVER-SIDE,RH,F.B.GREEN (Ref # 36001B) | 36001-1537-59 | 1        |
| BOLT-FLANGED (Ref # 130)               | 130H0640      | 2        |
| BOLT-UPSET-WP (Ref # 186)              | 186C0612      | 5        |
| COVER-ASSY-CHAIN CASE (Ref # 39040)    | 39040-1057    | 1        |
| PAD,SIDE COVER (Ref # 39156)           | 39156-1426    | 1        |
| SCREW,6X10,WHITE (Ref # 92009)         | 92009-1286    | 4        |
| GROMMET (Ref # 92071)                  | 92071-056     | 2        |