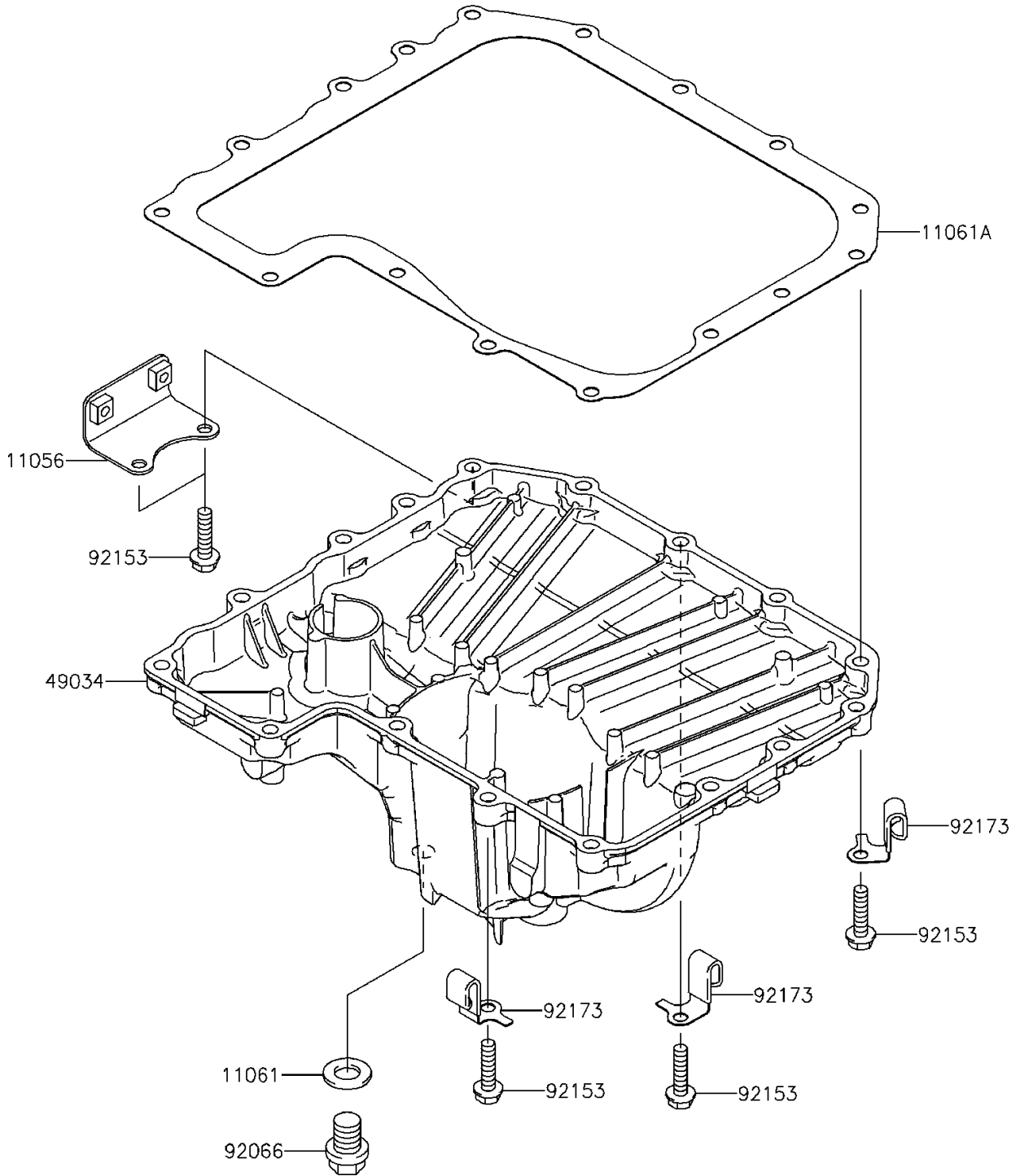


2016 Z800 ABS PARTS DIAGRAM

Oil Pan

E1434



2016 Z800 ABS PARTS LIST

Oil Pan

ITEM NAME	PART NUMBER	QUANTITY
-----------	-------------	----------