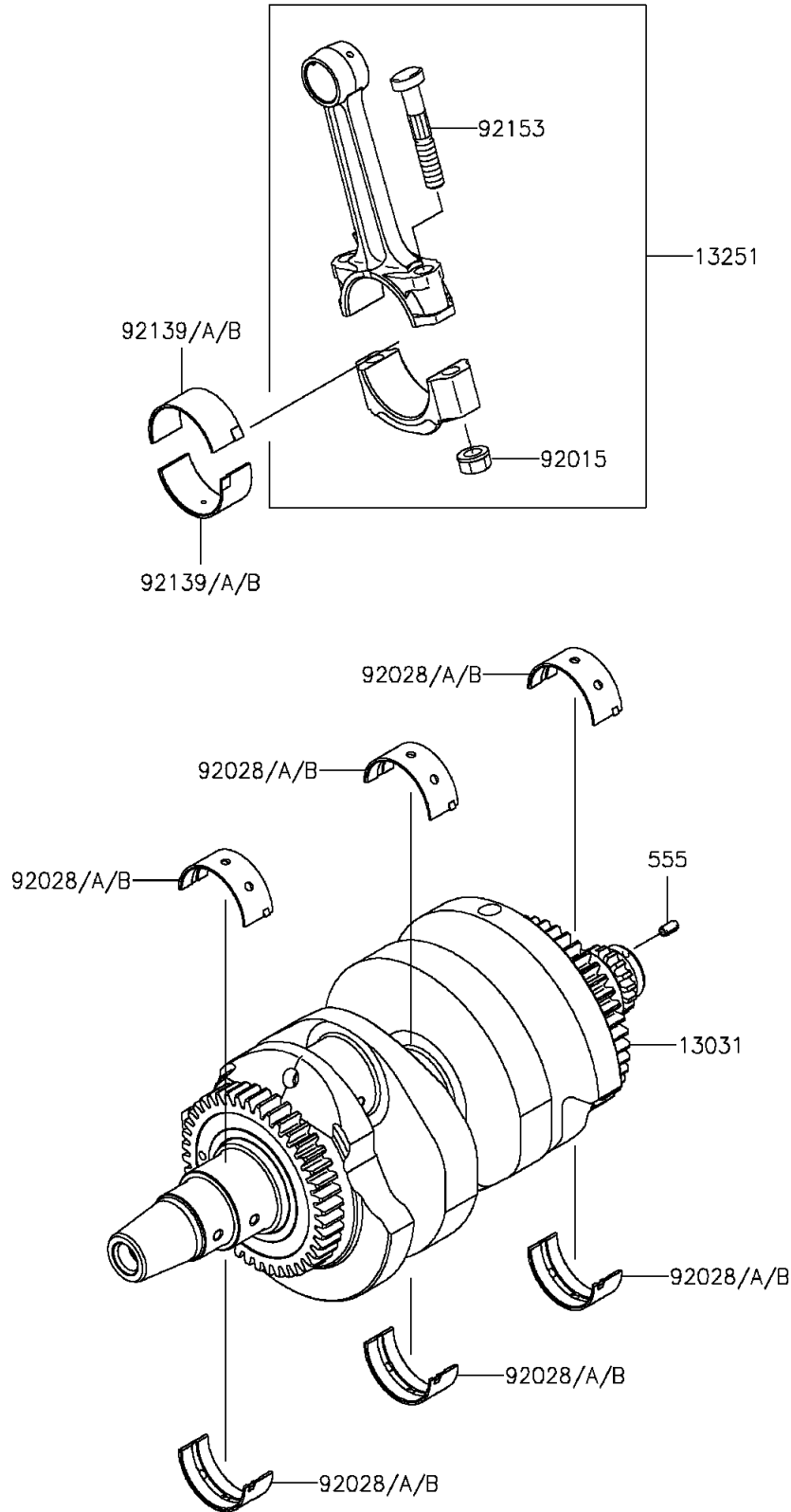


# 2015 NINJA® 650 ABS PARTS DIAGRAM

Crankshaft

E1321



# 2015 NINJA® 650 ABS PARTS LIST

Crankshaft

ITEM NAME	PART NUMBER	QUANTITY
-----------	-------------	----------