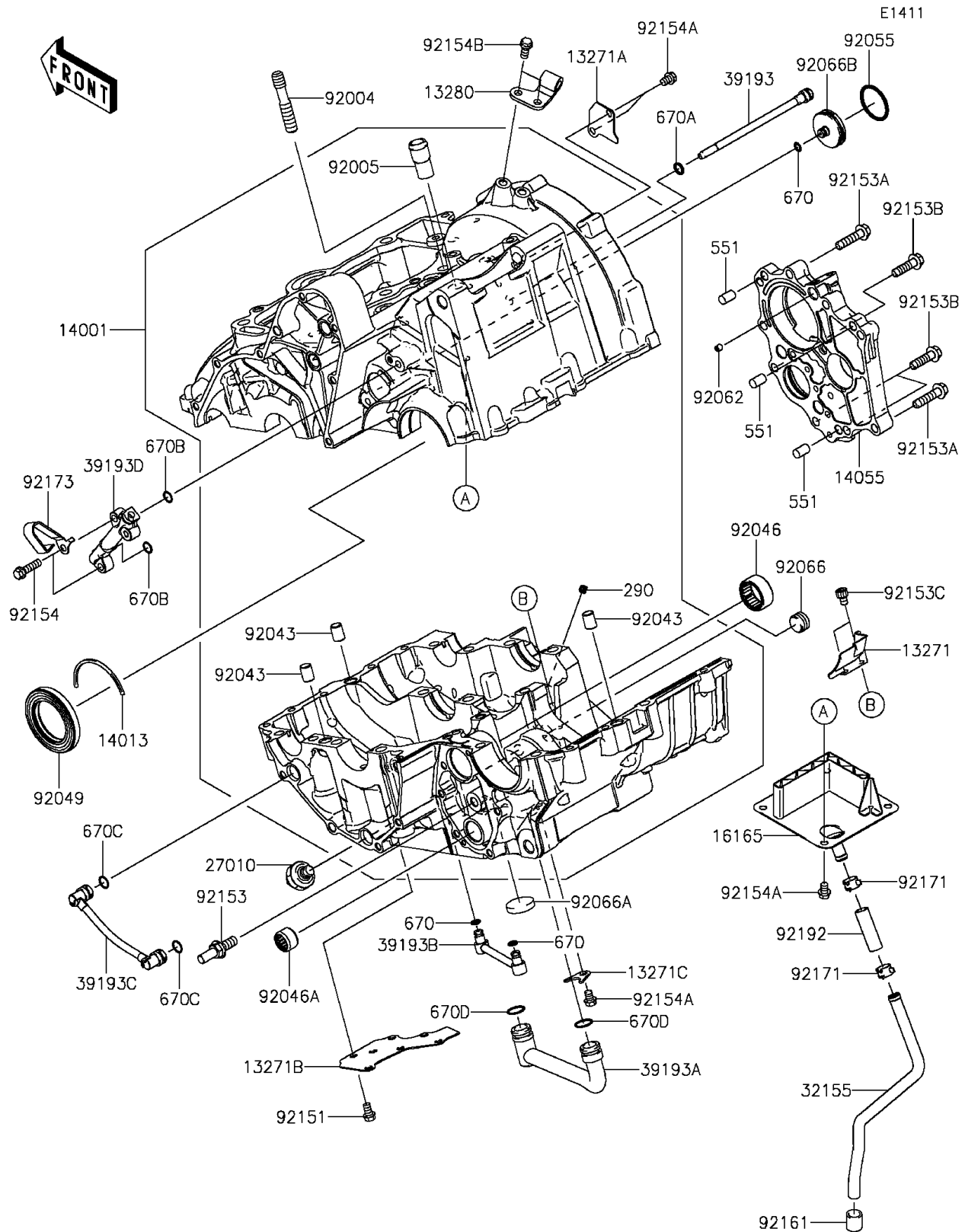


2016 NINJA® 650 ABS PARTS DIAGRAM

Crankcase



2016 NINJA® 650 ABS PARTS LIST

Crankcase

ITEM NAME	PART NUMBER	QUANTITY
-----------	-------------	----------