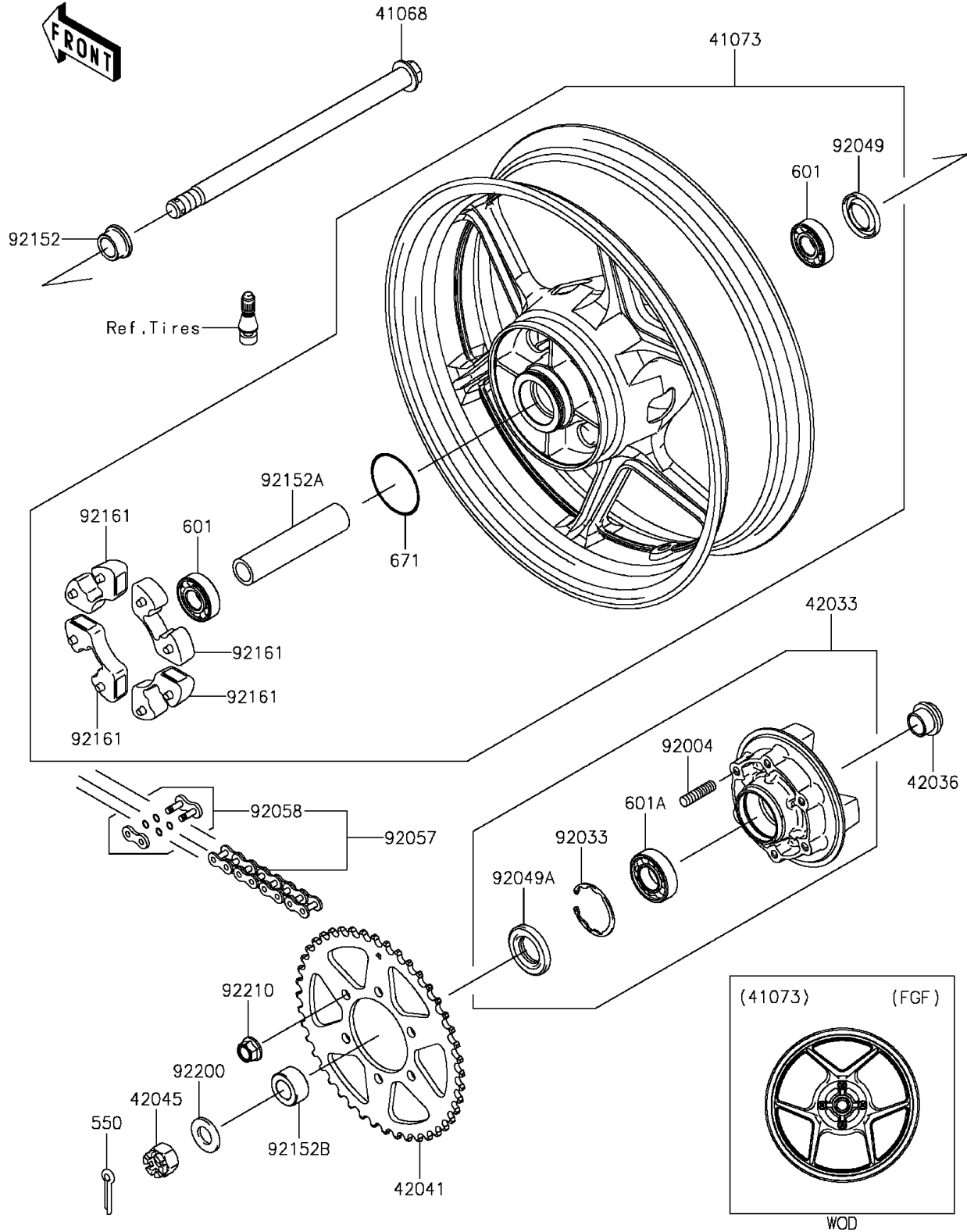


2016 NINJA® 650 ABS PARTS DIAGRAM

Rear Wheel/Chain

F2240



2016 NINJA® 650 ABS PARTS LIST

Rear Wheel/Chain

ITEM NAME	PART NUMBER	QUANTITY
-----------	-------------	----------