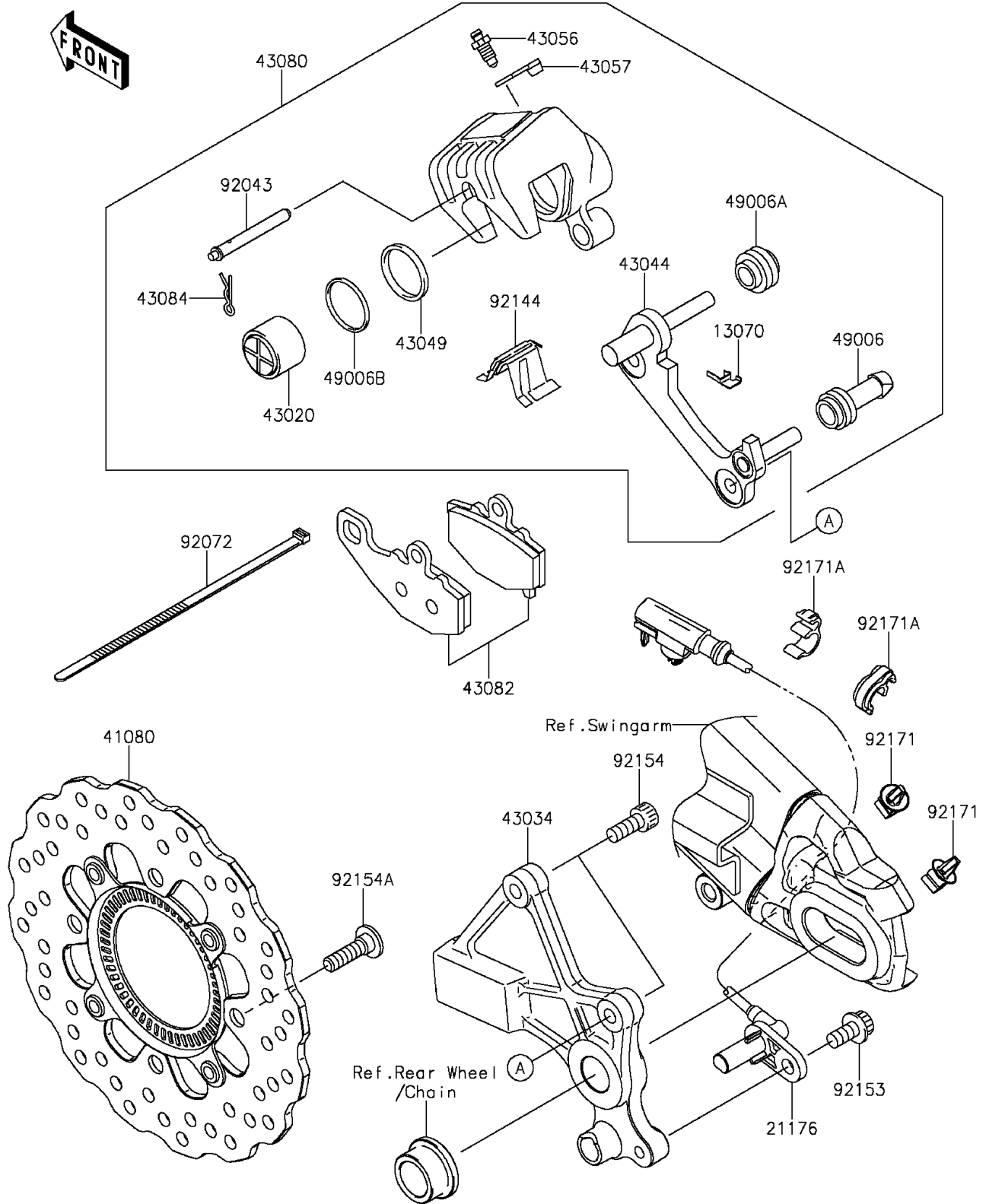


# 2016 NINJA® 650 ABS PARTS DIAGRAM

Rear Brake

F2294



# 2016 NINJA® 650 ABS PARTS LIST

Rear Brake

ITEM NAME	PART NUMBER	QUANTITY
-----------	-------------	----------