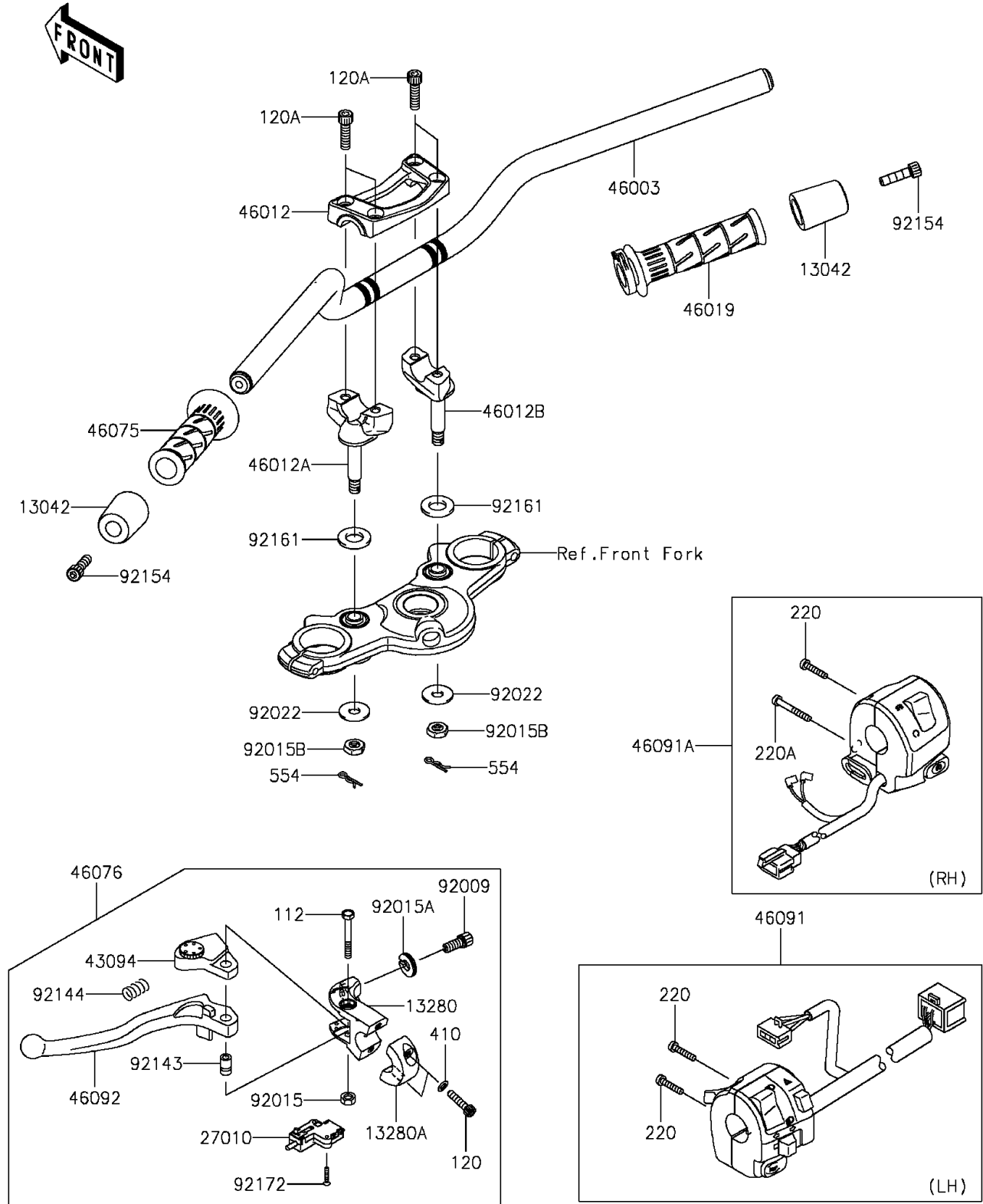


2016 NINJA® 650 ABS PARTS DIAGRAM

Handlebar

F2310



2016 NINJA® 650 ABS PARTS LIST

Handlebar

ITEM NAME	PART NUMBER	QUANTITY
-----------	-------------	----------