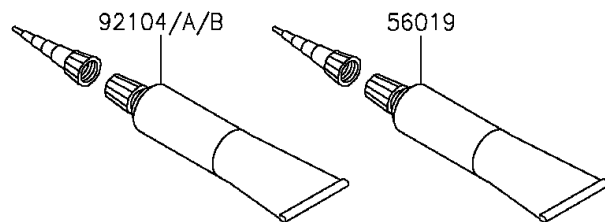
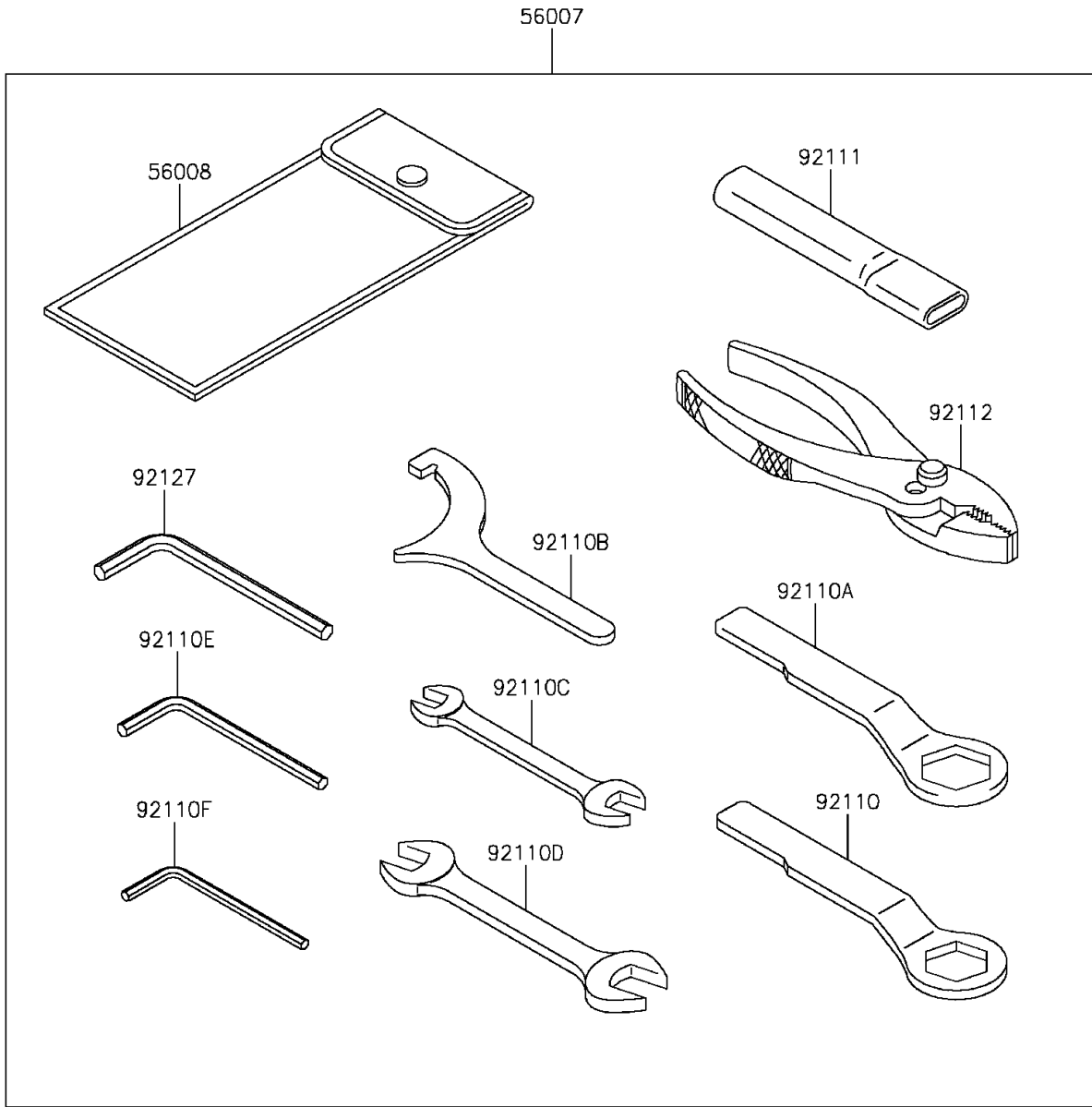


2016 NINJA® 650 ABS PARTS DIAGRAM

Owner's Tools

F2810



2016 NINJA® 650 ABS PARTS LIST

Owner's Tools

ITEM NAME	PART NUMBER	QUANTITY
-----------	-------------	----------