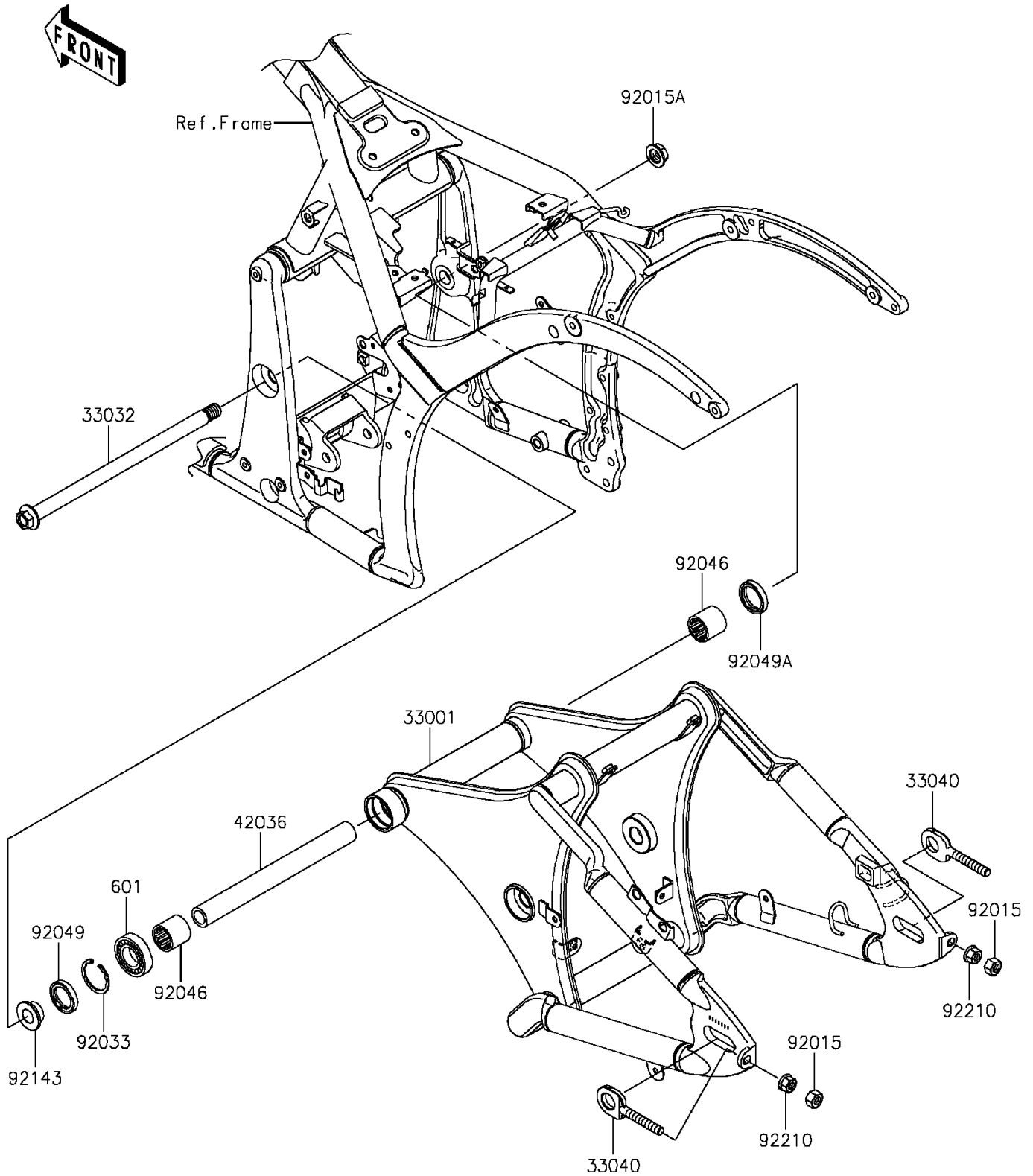


2015 VULCAN® 900 CLASSIC PARTS DIAGRAM

Swingarm

F2141



2015 VULCAN® 900 CLASSIC PARTS LIST

Swingarm

ITEM NAME	PART NUMBER	QUANTITY
-----------	-------------	----------