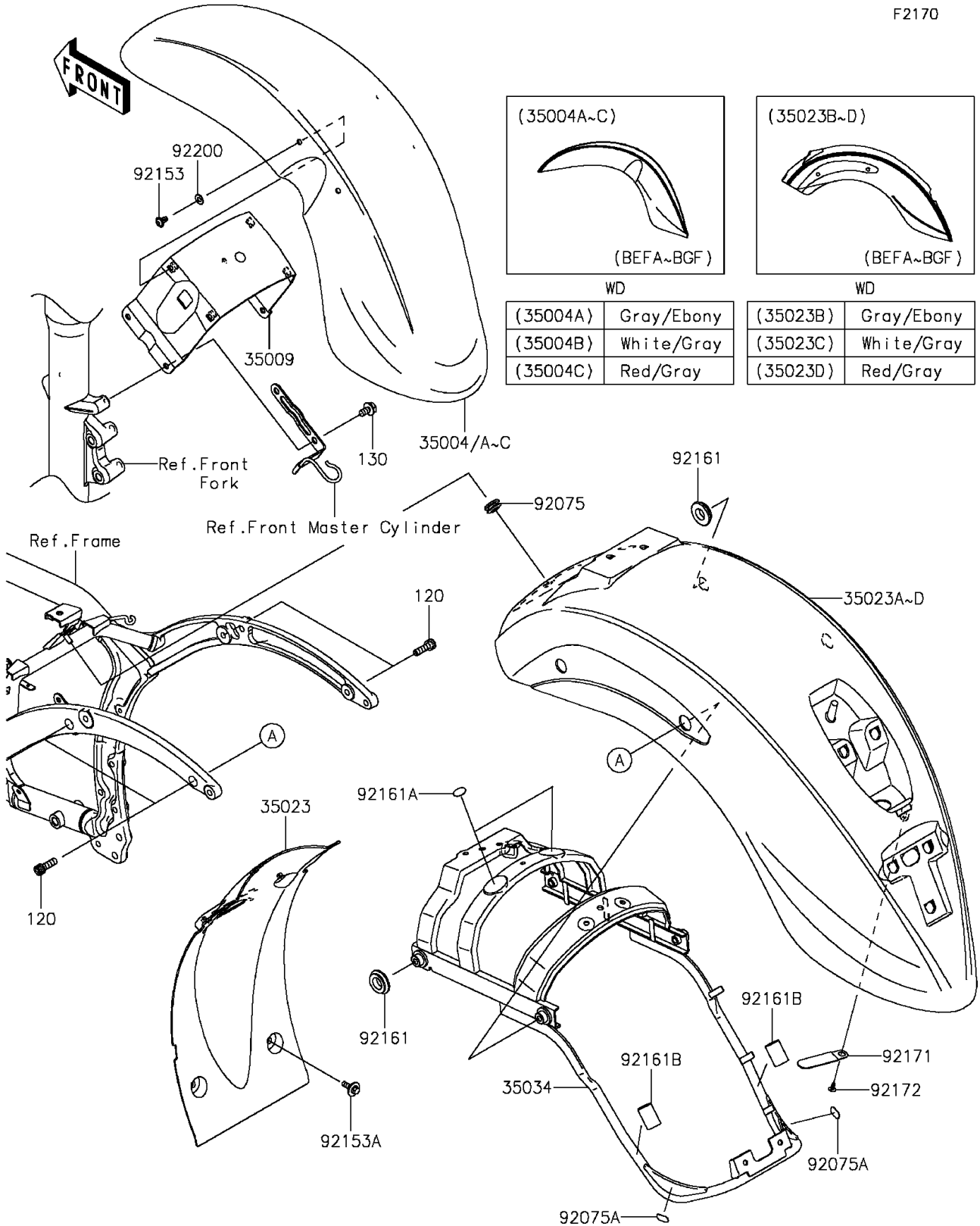


# 2016 VULCAN® 900 CLASSIC PARTS DIAGRAM

Fenders

F2170



# 2016 VULCAN® 900 CLASSIC PARTS LIST

## Fenders

ITEM NAME	PART NUMBER	QUANTITY
-----------	-------------	----------