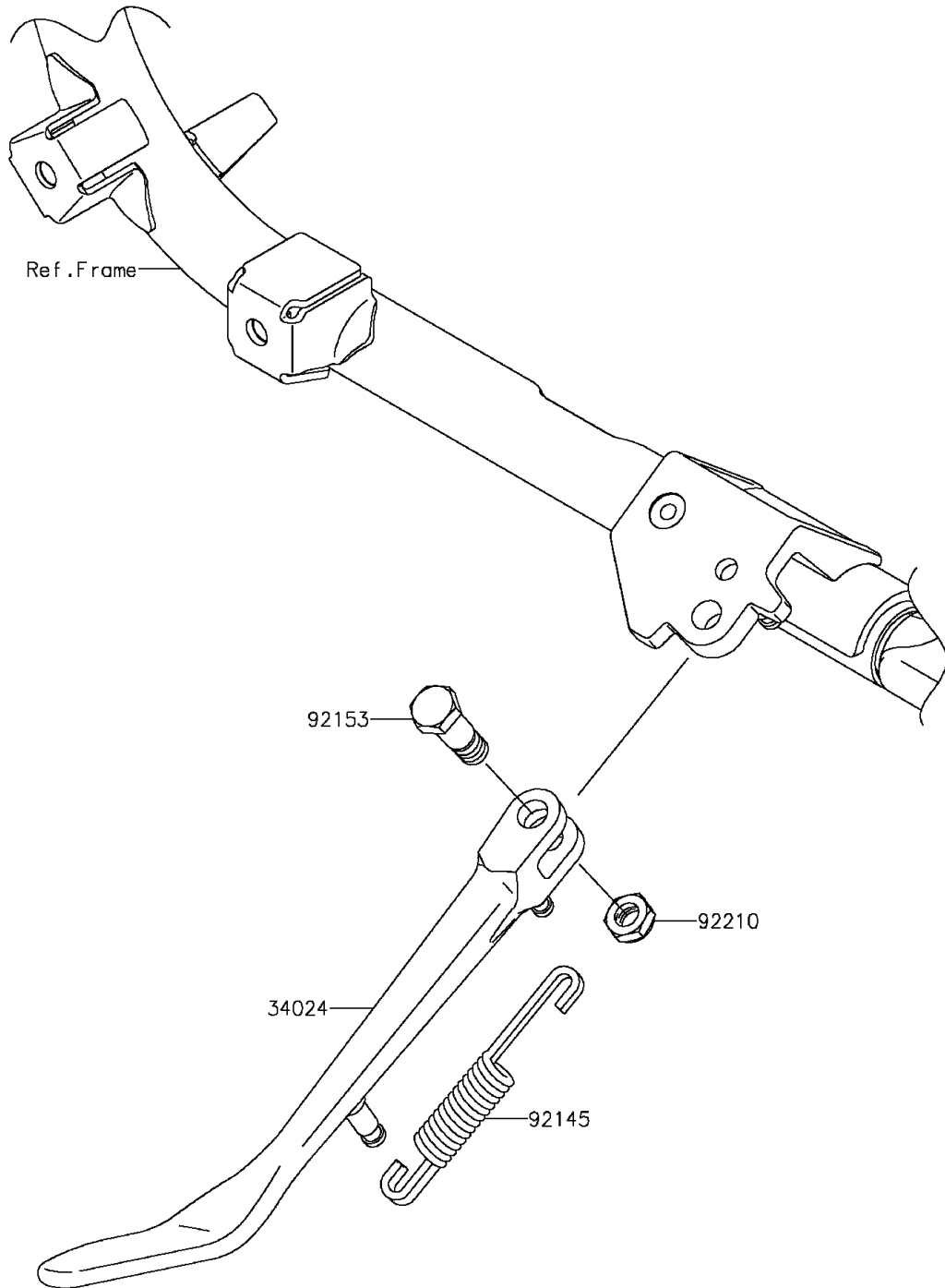


# 2015 VULCAN® 900 CLASSIC PARTS DIAGRAM

Stand(s)

F2190



# 2015 VULCAN® 900 CLASSIC PARTS LIST

Stand(s)

| ITEM NAME | PART NUMBER | QUANTITY |
|-----------|-------------|----------|
|-----------|-------------|----------|