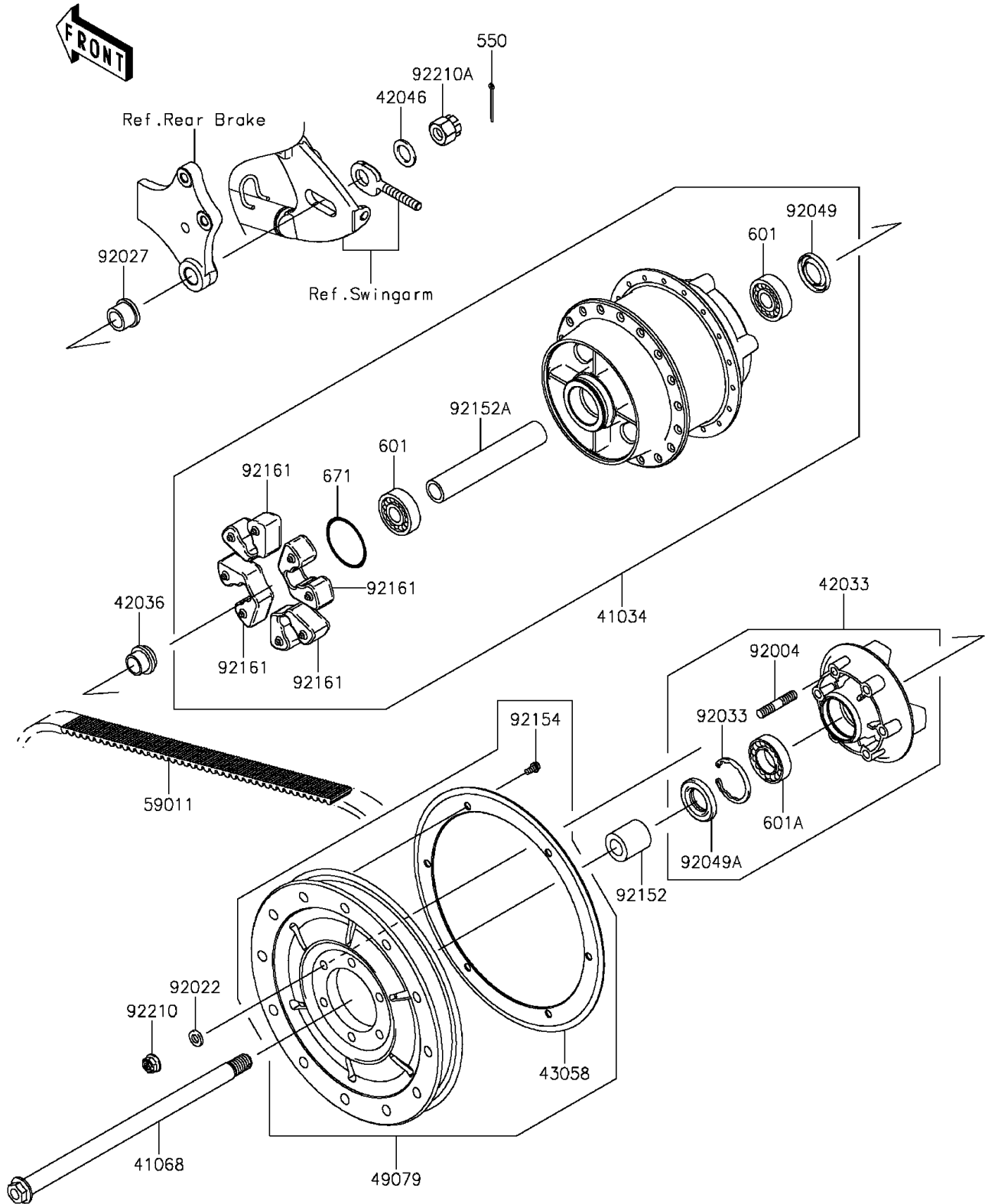


2016 VULCAN® 900 CLASSIC PARTS DIAGRAM

Rear Wheel/Chain

F2240



2016 VULCAN® 900 CLASSIC PARTS LIST

Rear Wheel/Chain

ITEM NAME	PART NUMBER	QUANTITY
-----------	-------------	----------