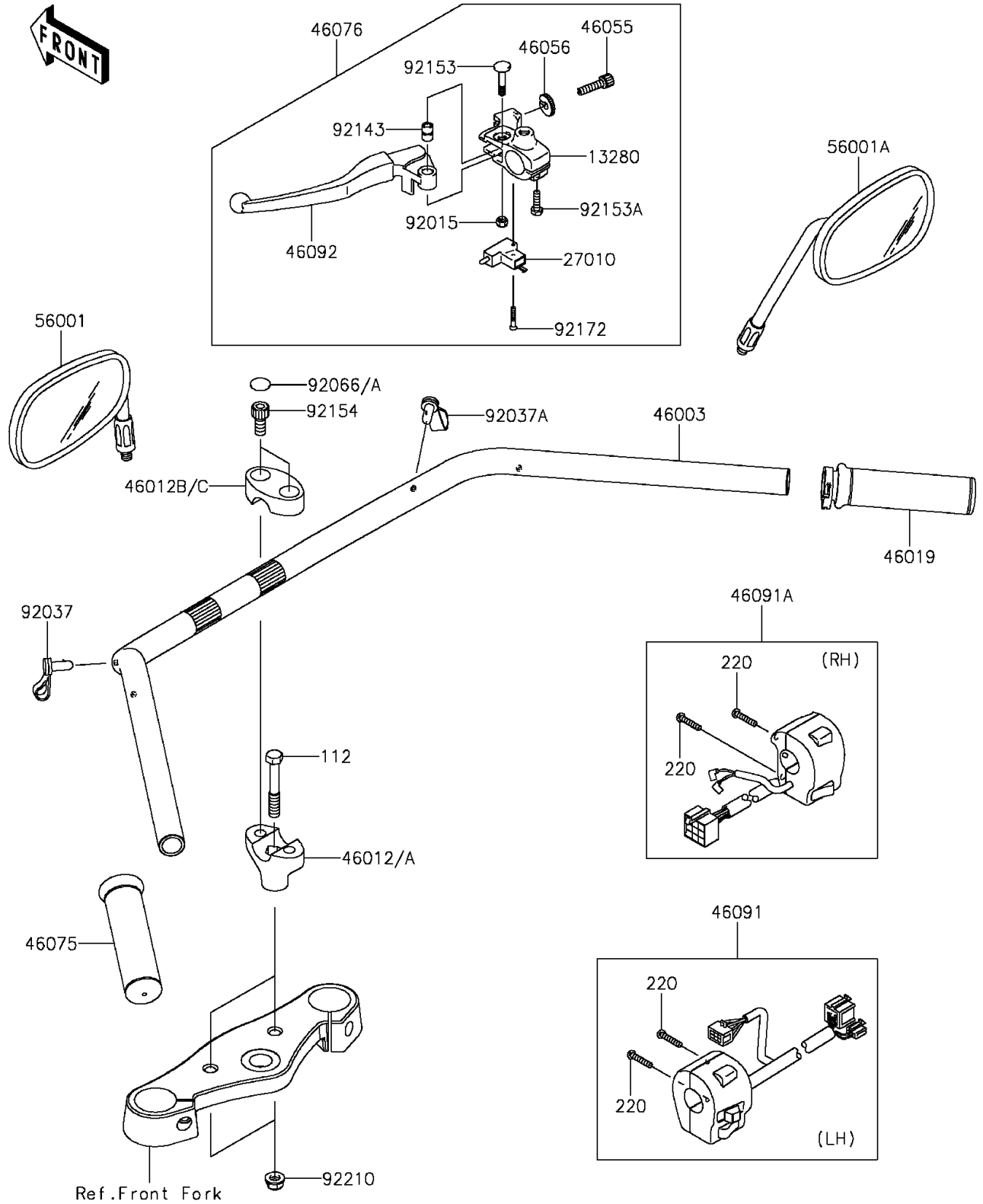


# 2015 VULCAN® 900 CLASSIC PARTS DIAGRAM

Handlebar

F2310



# 2015 VULCAN® 900 CLASSIC PARTS LIST

Handlebar

ITEM NAME	PART NUMBER	QUANTITY
-----------	-------------	----------