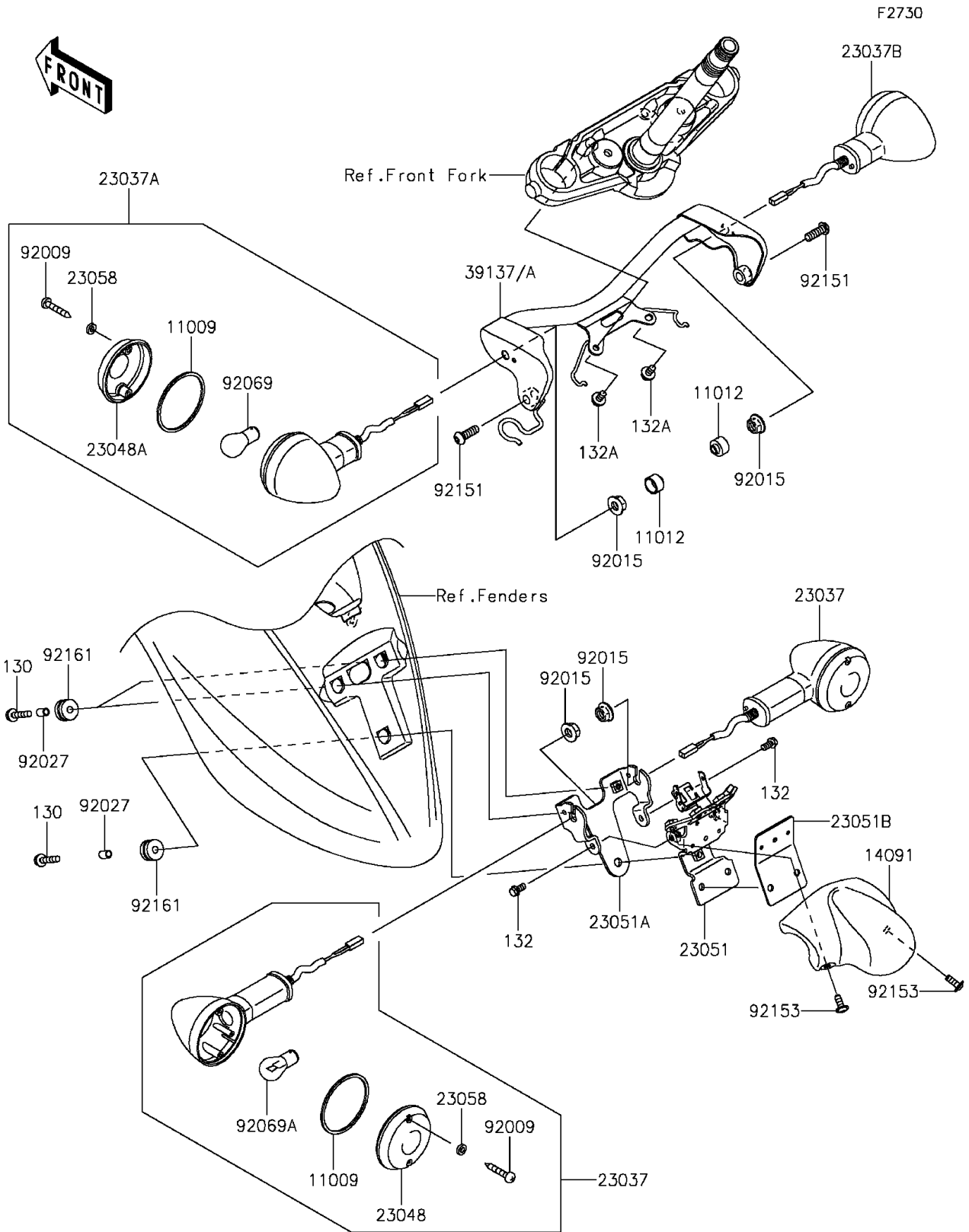


2015 VULCAN® 900 CLASSIC PARTS DIAGRAM

Turn Signals



2015 VULCAN® 900 CLASSIC PARTS LIST

Turn Signals

ITEM NAME	PART NUMBER	QUANTITY
-----------	-------------	----------