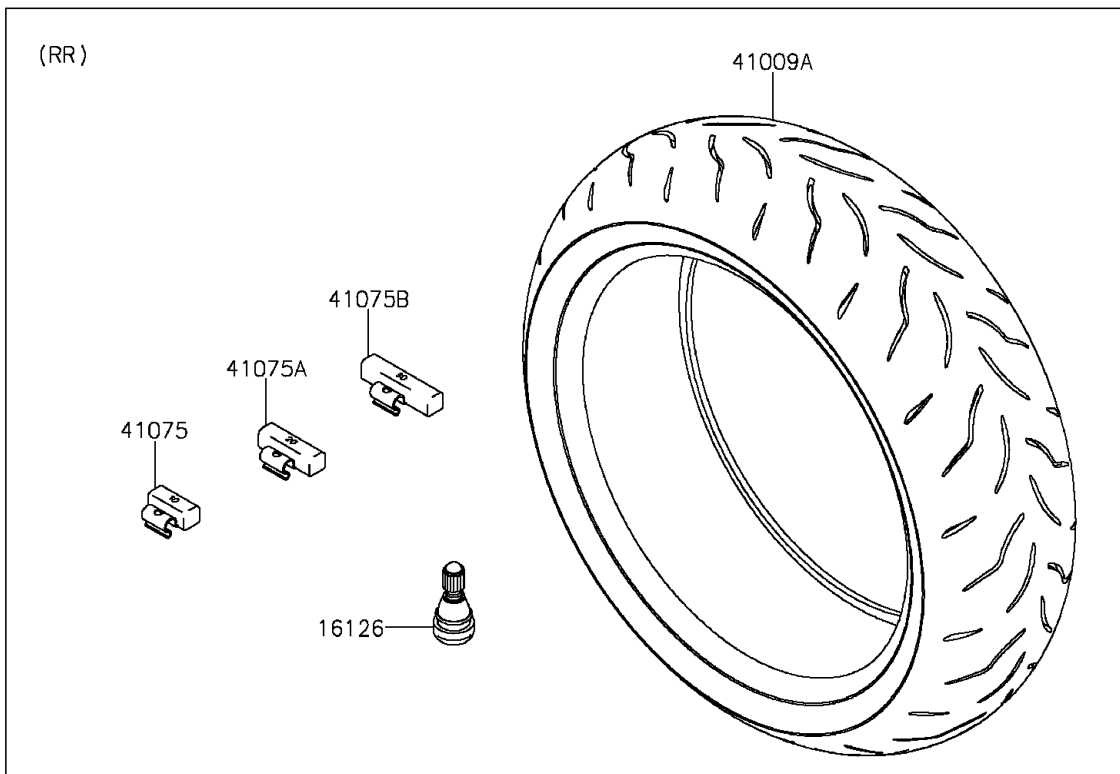
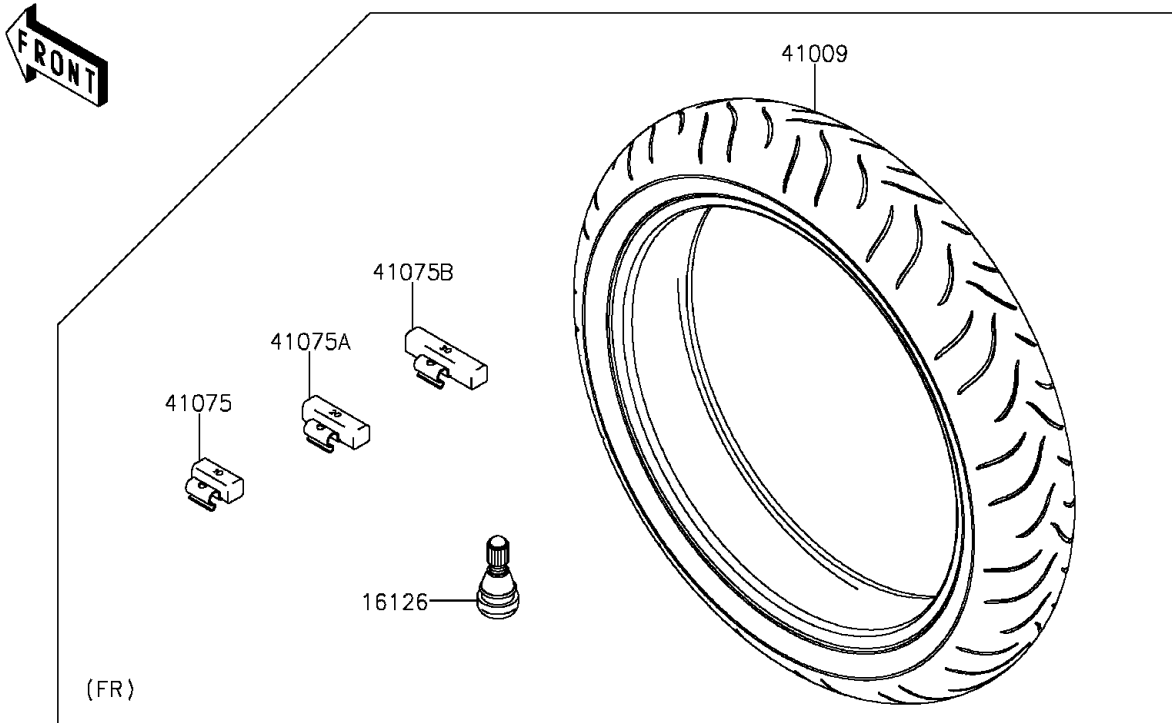


# 2016 NINJA® 1000 ABS PARTS DIAGRAM

Tires

F2210



# 2016 NINJA® 1000 ABS PARTS LIST

Tires

ITEM NAME	PART NUMBER	QUANTITY
-----------	-------------	----------