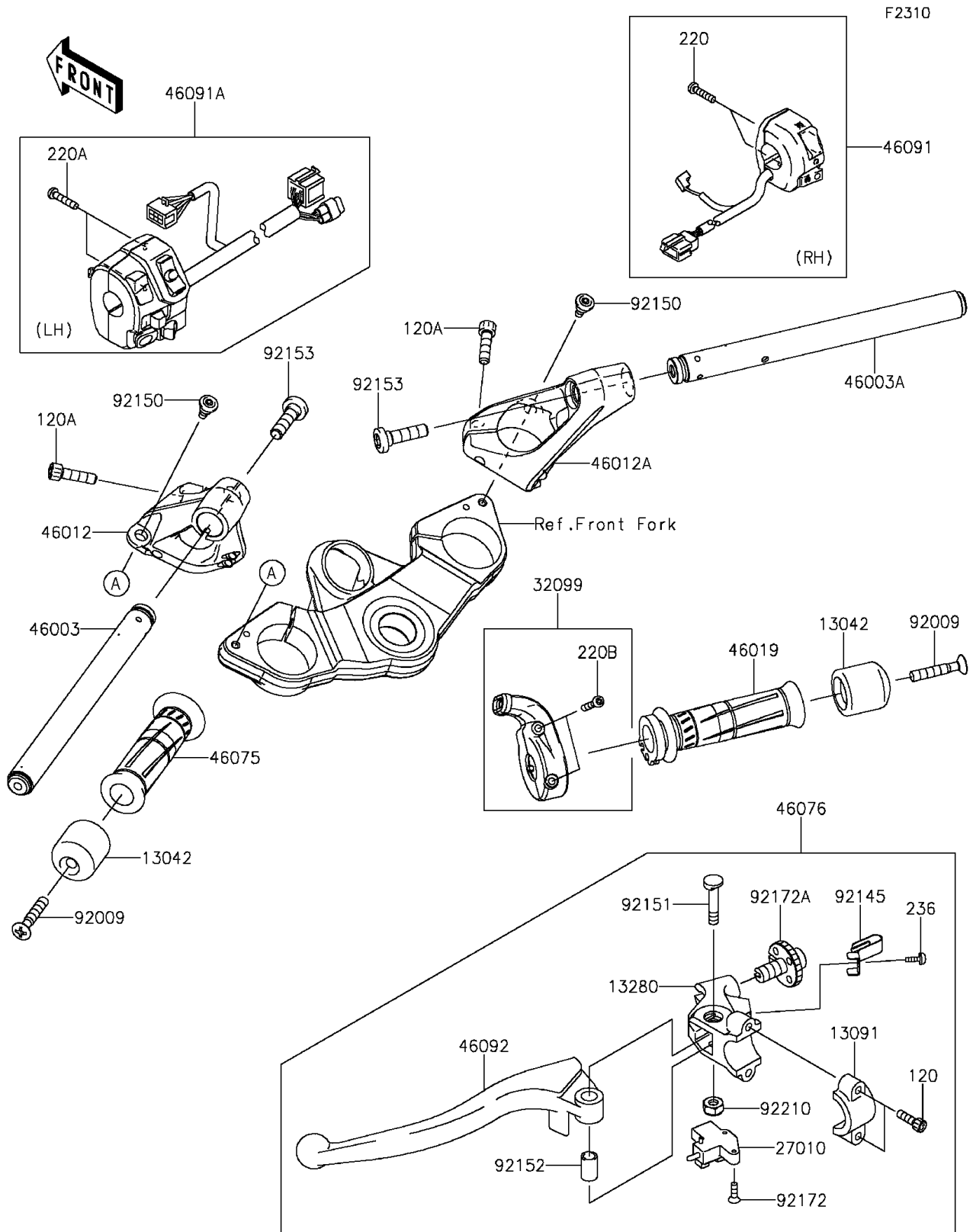


# 2016 NINJA® 1000 ABS PARTS DIAGRAM

Handlebar



# 2016 NINJA® 1000 ABS PARTS LIST

Handlebar

ITEM NAME	PART NUMBER	QUANTITY
-----------	-------------	----------