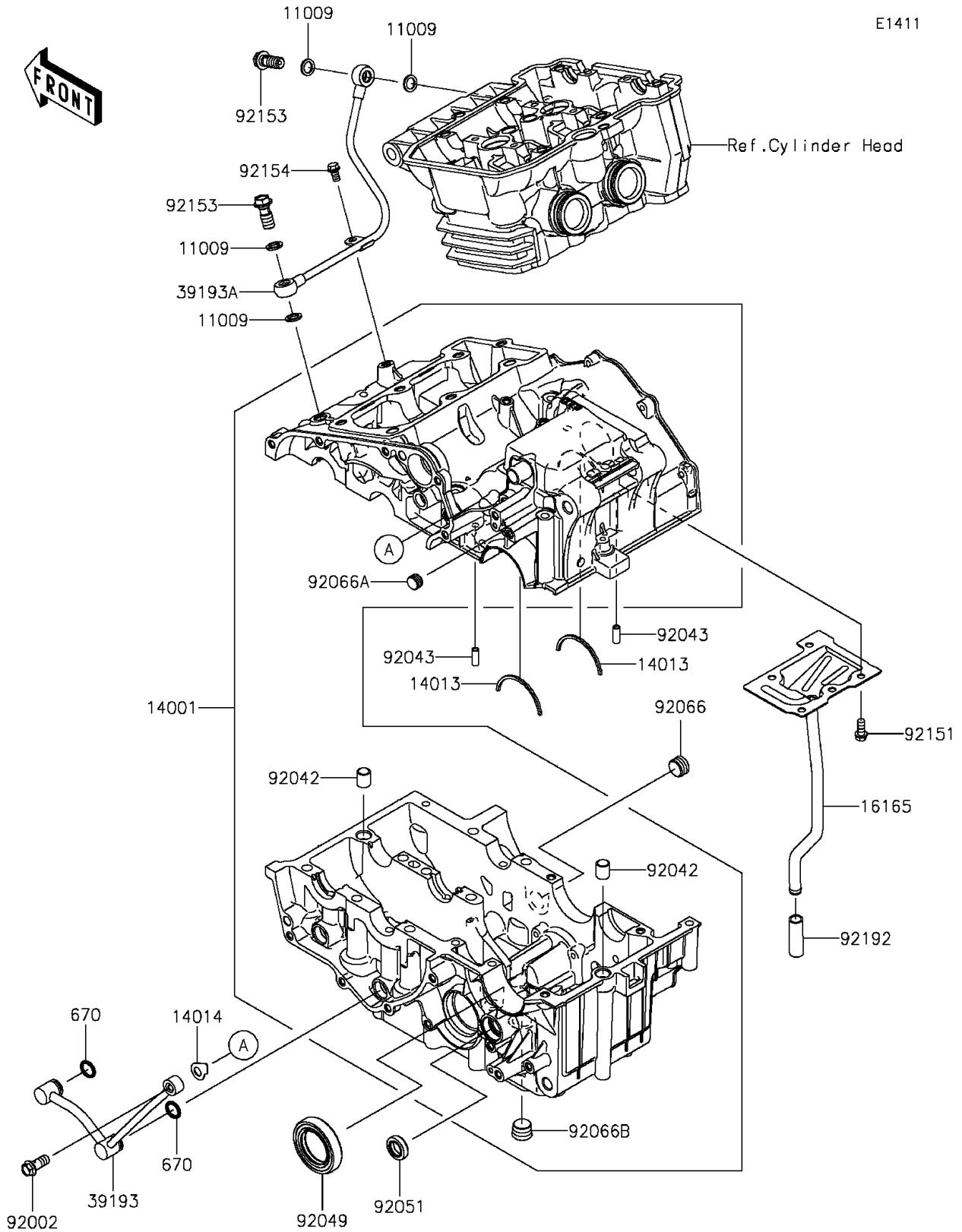


2015 NINJA® 300 SE PARTS DIAGRAM

Crankcase

E1411



2015 NINJA® 300 SE PARTS LIST

Crankcase

ITEM NAME	PART NUMBER	QUANTITY
O RING,12MM (Ref # 670)	670B2012	2
GASKET,10X14.5X1.5 (Ref # 11009)	11009-1105	4
SET-CRANKCASE (Ref # 14001)	14001-0637	1
RING-POSITION (Ref # 14013)	14013-004	2
PLATE-POSITION (Ref # 14014)	14014-0565	1
SEPARATOR (Ref # 16165)	16165-0010	1
PIPE-OIL (Ref # 39193)	39193-0571	1
PIPE-OIL,CASE-HEAD (Ref # 39193A)	39193-0572	1
BOLT,BANJO,8X20 (Ref # 92002)	92002-1705	1
PIN,DOWEL,12X14 (Ref # 92042)	92042-031	2
PIN,3.5X6X16 (Ref # 92043)	92043-1309	2
SEAL-OIL,HTC 32 52 10 (Ref # 92049)	92049-1506	1
SEAL-OIL,TB13225.5 (Ref # 92051)	92051-005	1
PLUG,PT3/8X10 (Ref # 92066)	92066-0003	1
PLUG (Ref # 92066A)	92066-1110	1
PLUG,PT3/8X12 (Ref # 92066B)	92066-1252	1
BOLT,FLANGED,6X14 (Ref # 92151)	92151-1755	5
BOLT,OIL,L=23 (Ref # 92153)	92153-0627	2
BOLT,FLANGED,6X10 (Ref # 92154)	92154-1065	1
TUBE,9X12X38 (Ref # 92192)	92192-0225	1