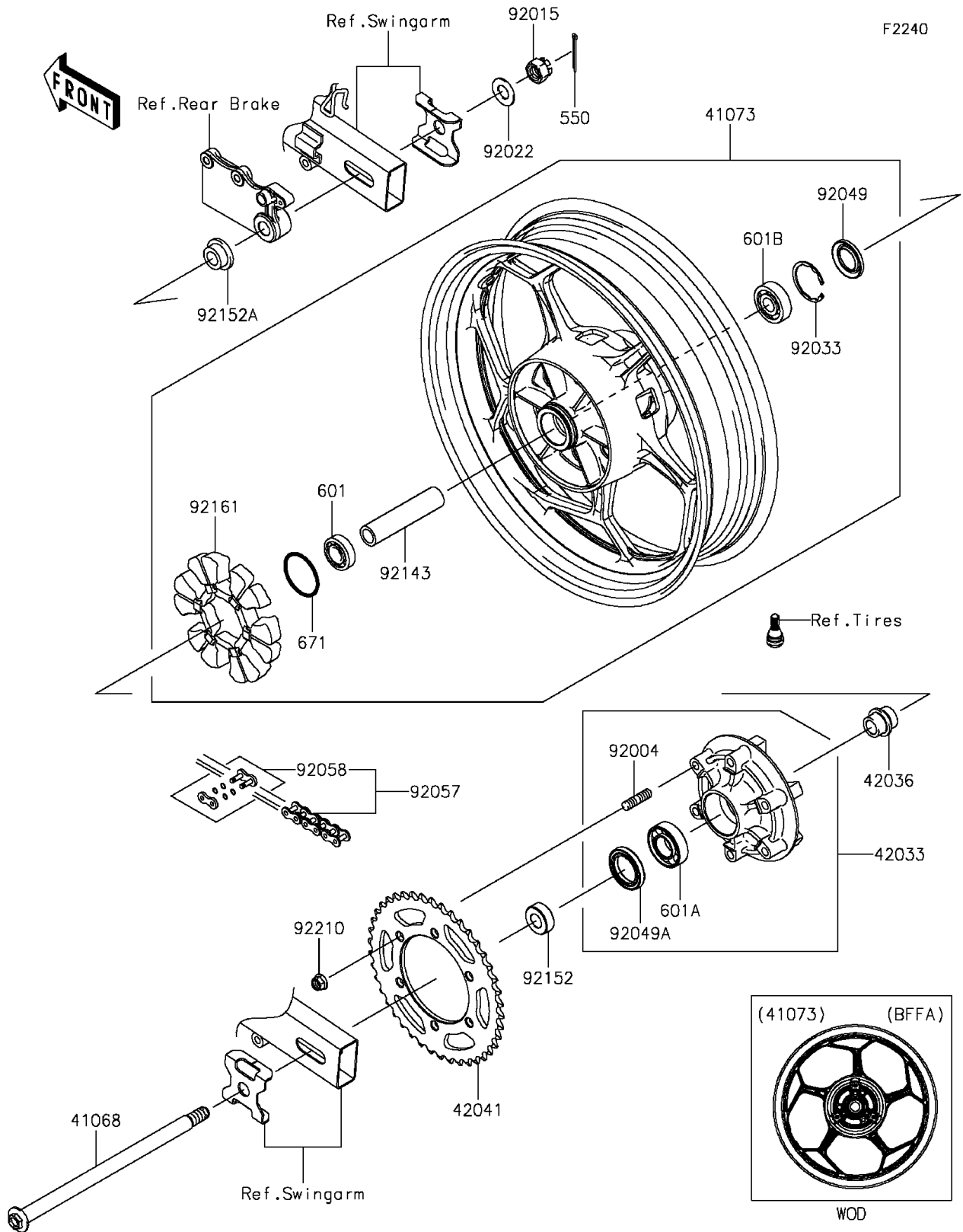


2015 Ninja® 300 ABS SE PARTS DIAGRAM

Rear Wheel/Chain



2015 Ninja® 300 ABS SE PARTS LIST

Rear Wheel/Chain

ITEM NAME	PART NUMBER	QUANTITY
PIN-COTTER,4.0X35 (Ref # 550)	550AA4035	1
BEARING-BALL,#6203UUC3 (Ref # 601)	601B6203UU	1
BEARING-BALL,#6205G (Ref # 601A)	601B6205G	1
BEARING-BALL,6303LLUC3/2ASU68 (Ref # 601B)	601B6303UU	1
O RING,50MM (Ref # 671)	671B2550	1
AXLE,RR (Ref # 41068)	41068-1223	1
WHEEL-ASSY,RR,G.BLACK (Ref # 41073)	41073-0657-18F	1
COUPLING-ASSY,RR HUB (Ref # 42033)	42033-0044	1
SLEEVE,RR HUB,L=30 (Ref # 42036)	42036-1055	1
SPROCKET-HUB,42T (Ref # 42041)	42041-0118	1
STUD,10X19 (Ref # 92004)	92004-0028	6
NUT,CASTLE,16MM (Ref # 92015)	92015-1947	1
WASHER,17.5X34X2.0 (Ref # 92022)	92022-1916	1
RING-SNAP,47MM (Ref # 92033)	92033-1042	1
SEAL-OIL,BJN28475 (Ref # 92049)	92049-1056	1
SEAL-OIL (Ref # 92049A)	92049-1287	1
CHAIN,DRIVE,EK520SR-O2X106L (Ref # 92057)	92057-0019	1
JOINT-CHAIN,DRIVE (Ref # 92058)	92058-1102	1
COLLAR,RR HUB,L=111 (Ref # 92143)	92143-1416	1
COLLAR,17X35X13 (Ref # 92152)	92152-0843	1
COLLAR,17X28(38)X15 (Ref # 92152A)	92152-0844	1
DAMPER,RR HUB SHOCK (Ref # 92161)	92161-0700	1
NUT,LOCK,FLANGED,10MM (Ref # 92210)	92210-0276	6