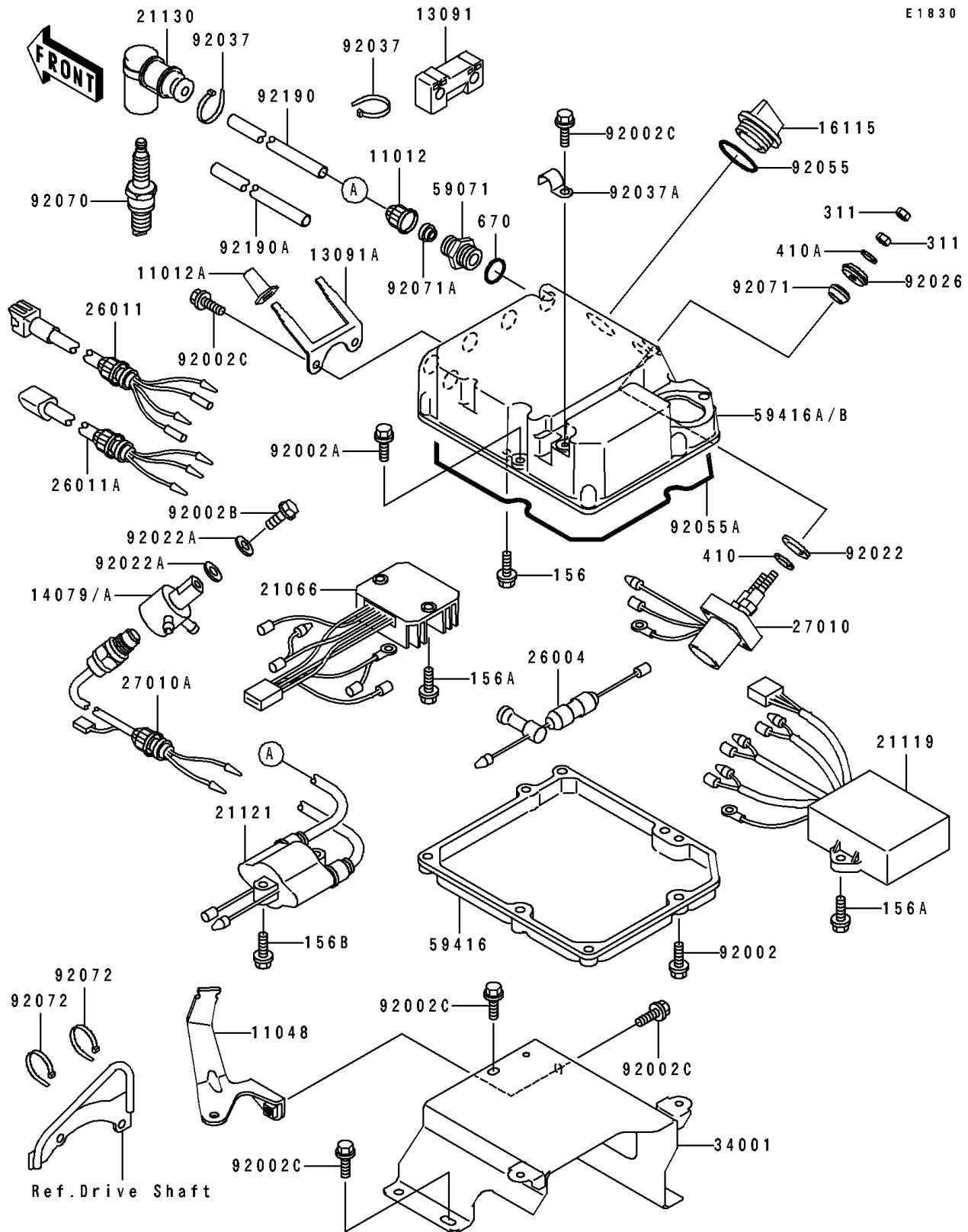


1994 ST PARTS DIAGRAM

Ignition System

E1830



1994 ST PARTS LIST

Ignition System

| ITEM NAME | PART NUMBER | QUANTITY |
|---|-------------|----------|
| CAP (Ref # 11012) | 11012-3005 | 2 |
| BRACKET,HIGH TENSION CORD (Ref # 11048) | 11048-3736 | 1 |
| HOLDER,HIGH TENSION CORD (Ref # 13091) | 13091-3771 | 1 |
| HOLDER-ASSY (Ref # 14079) | 14079-3705 | 1 |
| CAP-OIL FILLER (Ref # 16115) | 16115-1009 | 1 |
| REGULATOR-VOLTAGE (Ref # 21066) | 21066-3711 | 1 |
| IGNITER (Ref # 21119) | 21119-3734 | 1 |
| COIL-IGNITION (Ref # 21121) | 21121-3704 | 1 |
| CAP-SPARK PLUG (Ref # 21130) | 21130-3706 | 2 |
| FUSE-ASSY (Ref # 26004) | 26004-3712 | 1 |
| WIRE-LEAD (Ref # 26011) | 26011-3799 | 1 |
| WIRE-LEAD (Ref # 26011A) | 26011-3800 | 1 |
| SWITCH,STARTER RELAY (Ref # 27010) | 27010-3724 | 1 |
| SWITCH (Ref # 27010A) | 27010-3733 | 1 |
| STAND,ELECTRIC CASE (Ref # 34001) | 34001-3705 | 1 |
| JOINT (Ref # 59071) | 59071-3001 | 5 |
| CASE-ELECTRIC,LWR (Ref # 59416) | 59416-3728 | 1 |
| CASE-ELECTRIC,UPP (Ref # 59416A) | 59416-3729 | 1 |
| BOLT,6X25 (Ref # 92002) | 92002-3714 | 5 |
| BOLT,6X35 (Ref # 92002A) | 92002-3715 | 3 |
| BOLT,6X20 (Ref # 92002B) | 92002-3755 | 1 |
| BOLT,6X12 (Ref # 92002C) | 92002-3763 | 5 |
| WASHER (Ref # 92022) | 92022-3035 | 2 |
| WASHER,6.2X20X2 (Ref # 92022A) | 92022-3714 | 2 |
| SPACER (Ref # 92026) | 92026-3703 | 2 |
| CLAMP (Ref # 92037) | 92037-1173 | 4 |
| CLAMP (Ref # 92037A) | 92037-3730 | 1 |
| RING-O,31.5X2.6 (Ref # 92055) | 92055-049 | 1 |
| RING-O,ELECTRIC CASE (Ref # 92055A) | 92055-3733 | 1 |

1994 ST PARTS LIST

Ignition System

| ITEM NAME | PART NUMBER | QUANTITY |
|--|-------------|----------|
| PLUG-SPARK,BR8ES(NGK) (Ref # 92070) | 92070-2078 | 2 |
| GROMMET (Ref # 92071) | 92071-3004 | 2 |
| GROMMET (Ref # 92071A) | 92071-527 | 2 |
| BAND (Ref # 92072) | 92072-3778 | 2 |
| TUBE,HIGH TENSION,L=330 (Ref # 92190) | 92190-3707 | 1 |
| TUBE,HIGH TENSION,L=210 (Ref # 92190A) | 92190-3708 | 1 |
| BOLT-WP,6X14 (Ref # 156) | 156R0614 | 1 |
| BOLT-WP,6X22 (Ref # 156A) | 156R0622 | 4 |
| BOLT-WP (Ref # 156B) | 156R0630 | 2 |
| NUT-HEX,6MM (Ref # 311) | 311R0600 | 4 |
| WASHER-PLAIN-SMALL,10MM (Ref # 410) | 410B1000 | 2 |
| WASHER-PLAIN-SMALL,6MM (Ref # 410A) | 410S0600 | 2 |
| O RING,16MM (Ref # 670) | 670B2016 | 5 |