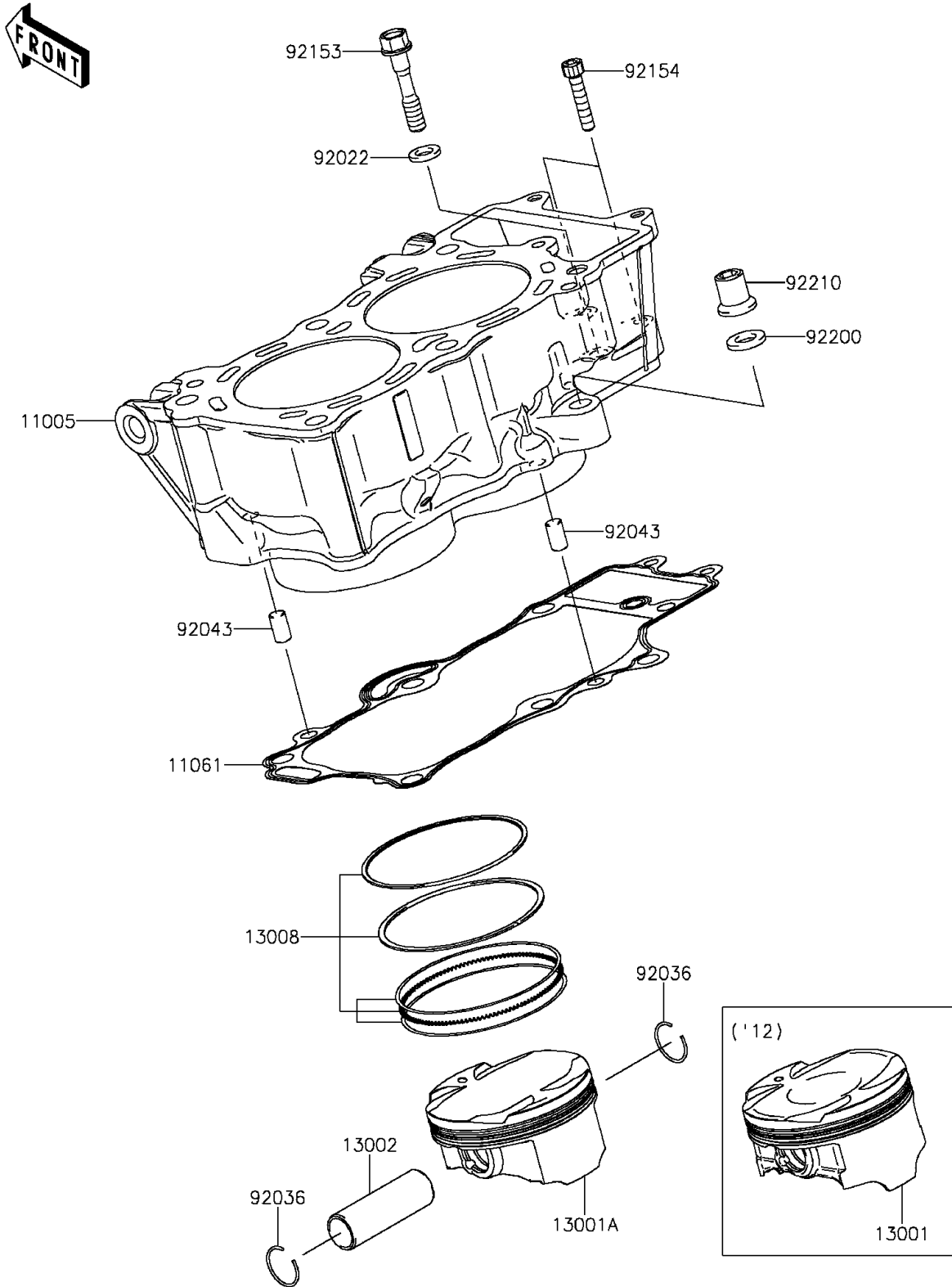


# 2016 ER-6n PARTS DIAGRAM

Cylinder/Piston(s)

E1120



## 2016 ER-6n PARTS LIST

Cylinder/Piston(s)

| ITEM NAME                          | PART NUMBER | QUANTITY |
|------------------------------------|-------------|----------|
| CYLINDER-ENGINE (Ref # 11005)      | 11005-0580  | 1        |
| GASKET,CYLINDER BASE (Ref # 11061) | 11061-0171  | 1        |
| PISTON-ENGINE (Ref # 13001A)       | 13001-0733  | 2        |
| PIN-PISTON (Ref # 13002)           | 13002-0007  | 2        |
| RING-SET-PISTON (Ref # 13008)      | 13008-1196  | 2        |
| WASHER,9X15.5X2 (Ref # 92022)      | 92022-1401  | 1        |
| RING-SNAP,PISTON PIN (Ref # 92036) | 92036-008   | 4        |
| PIN,8X14 (Ref # 92043)             | 92043-1567  | 2        |
| BOLT,8X43 (Ref # 92153)            | 92153-1011  | 1        |
| BOLT,SOCKET,6X30 (Ref # 92154)     | 92154-0116  | 2        |
| WASHER,10.5X19X2.3 (Ref # 92200)   | 92200-0363  | 1        |
| NUT (Ref # 92210)                  | 92210-0223  | 1        |