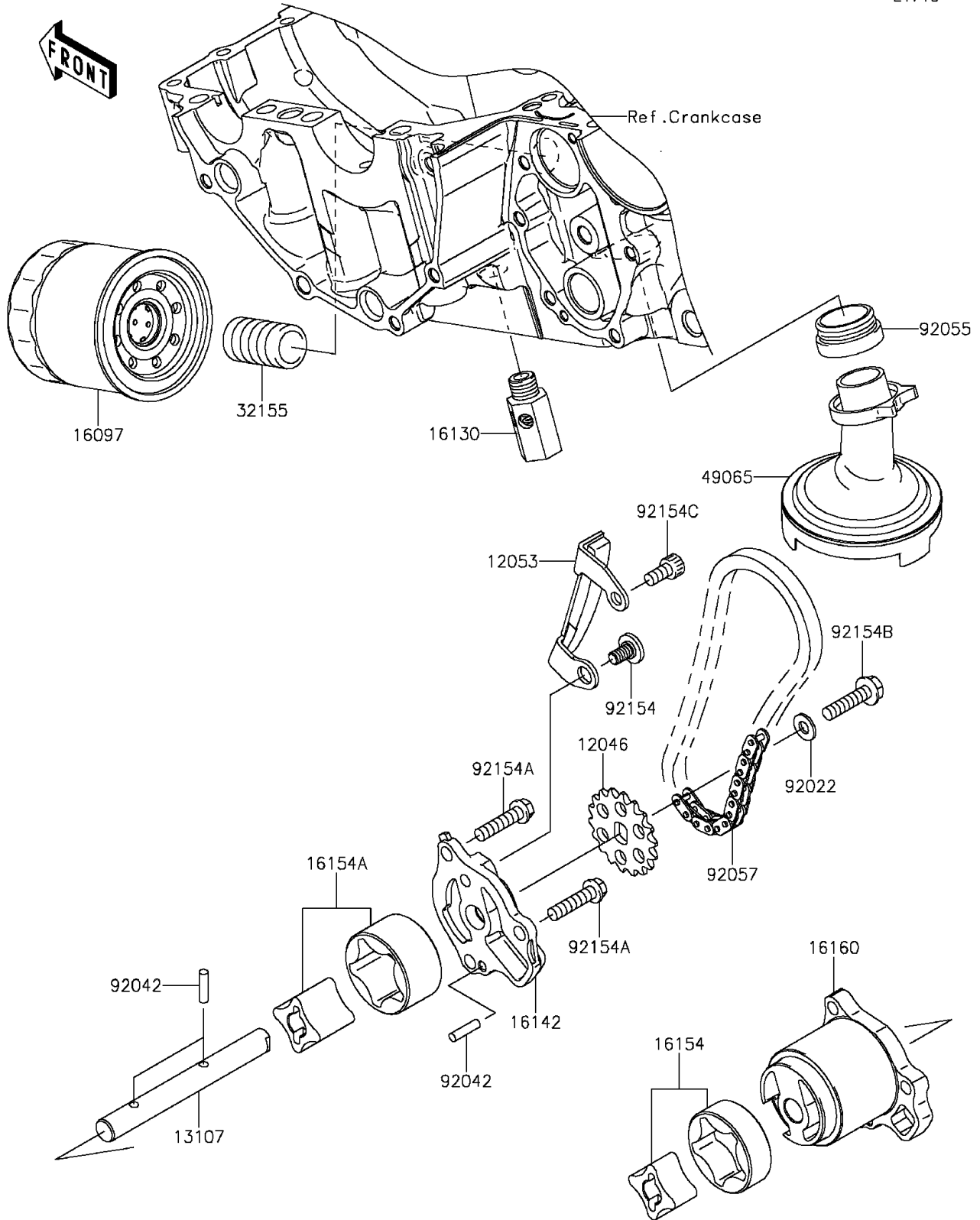


# 2014 ER-6n (European) PARTS DIAGRAM

Oil Pump

E1710



## 2014 ER-6n (European) PARTS LIST

### Oil Pump

| ITEM NAME                              | PART NUMBER | QUANTITY |
|--|-------------|----------|
| SPROCKET,18T,BF04M (Ref # 12046)       | 12046-0040  | 1        |
| GUIDE-CHAIN (Ref # 12053)              | 12053-0071  | 1        |
| SHAFT,OIL PUMP (Ref # 13107)           | 13107-0156  | 1        |
| FILTER-ASSY-OIL (Ref # 16097)          | 16097-0008  | 1        |
| VALVE-ASSY-RELIEF (Ref # 16130)        | 16130-0552  | 1        |
| COVER-PUMP (Ref # 16142)               | 16142-0024  | 1        |
| ROTOR-PUMP,L=14 (Ref # 16154)          | 16154-0037  | 1        |
| ROTOR-PUMP,40.56X22 (Ref # 16154A)     | 16154-1115  | 1        |
| BODY (Ref # 16160)                     | 16160-0110  | 1        |
| PIPE,OIL FILTER (Ref # 32155)          | 32155-0029  | 1        |
| FILTER-OIL (Ref # 49065)               | 49065-0708  | 1        |
| WASHER,6X12.8X1.2 (Ref # 92022)        | 92022-1827  | 1        |
| PIN,DOWEL,4X15.8 (Ref # 92042)         | 92042-014   | 3        |
| RING-O,OIL FILTER (Ref # 92055)        | 92055-1354  | 1        |
| CHAIN,DID 215FD-DHA,56LE (Ref # 92057) | 92057-0098  | 1        |
| BOLT,SOCKET,6X11 (Ref # 92154)         | 92154-0188  | 1        |
| BOLT,FLANGED,6X25 (Ref # 92154A)       | 92154-0783  | 3        |
| BOLT,FLANGED,6X25 (Ref # 92154B)       | 92154-0811  | 1        |
| BOLT,SOCKET,6X12 (Ref # 92154C)        | 92154-0812  | 1        |