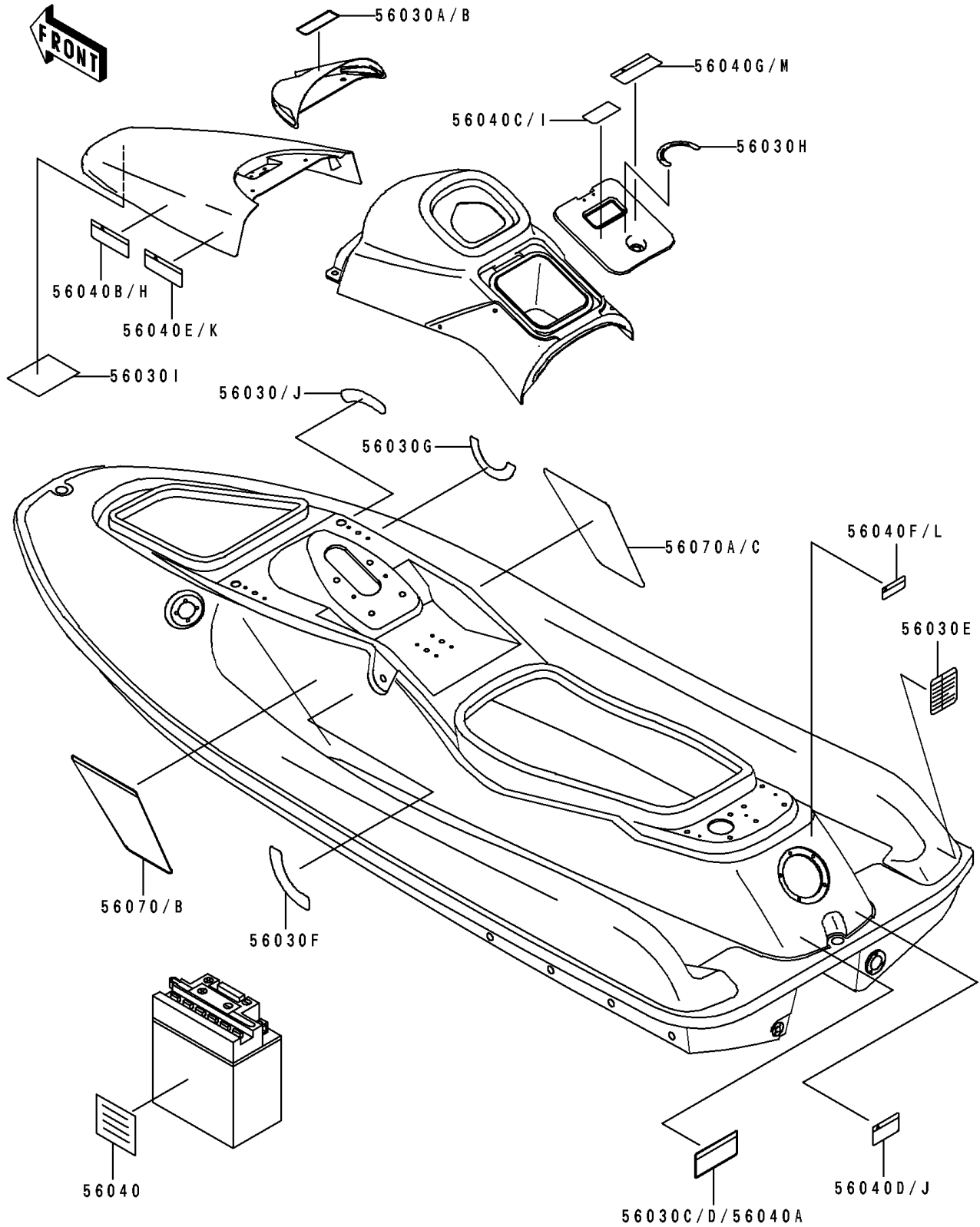


1995 ST PARTS DIAGRAM

Labels

F3183



1995 ST PARTS LIST

Labels

| ITEM NAME | PART NUMBER | QUANTITY |
|---|-------------|----------|
| LABEL,REVERSE (Ref # 56030) | 56030-3743 | 1 |
| LABEL,FIRE EXTINGUISHER (Ref # 56030A) | 56030-3755 | 1 |
| LABEL,REVERSE BUCKET (Ref # 56030C) | 56030-3766 | 1 |
| LABEL,CHOKE (Ref # 56030F) | 56030-3793 | 1 |
| LABEL,FUEL (Ref # 56030G) | 56030-3794 | 1 |
| LABEL,STORAGE LOCK (Ref # 56030H) | 56030-3798 | 1 |
| LABEL,TO CLOSE HATCH COVER (Ref # 56030I) | 56030-3800 | 1 |
| LABEL-WARNING,NOZZLE (Ref # 56040A) | 56040-3898 | 1 |
| LABEL-WARNING,BREAK-IN (Ref # 56040B) | 56040-3969 | 1 |
| LABEL-WARNING,TETHER SWITCH (Ref # 56040C) | 56040-3970 | 1 |
| LABEL-WARNING,GASOLINE (Ref # 56040E) | 56040-3972 | 1 |
| LABEL-WARNING,GRAB HANDLE (Ref # 56040F) | 56040-3973 | 1 |
| LABEL-WARNING,OVERHEAT (Ref # 56040G) | 56040-3974 | 1 |
| LABEL-WARNING,IMPORTANT SAFETY (Ref # 56070) | 56070-3726 | 1 |
| LABEL-WARNING,IMPORTANT SAFETY (Ref # 56070A) | 56070-3727 | 1 |