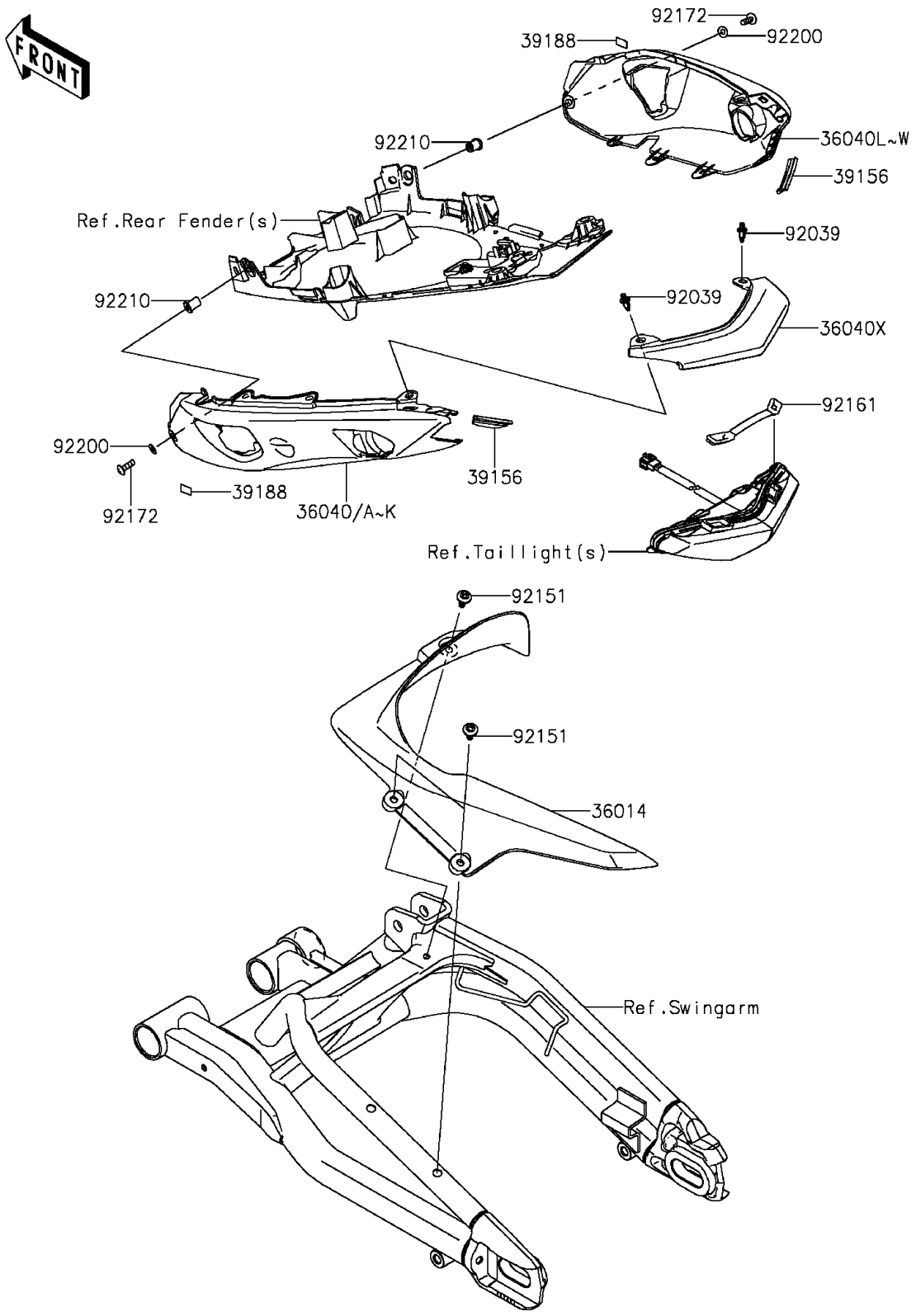


# 2016 ER-6n PARTS DIAGRAM

Side Covers/Chain Cover

F2610



## 2016 ER-6n PARTS LIST

### Side Covers/Chain Cover

ITEM NAME	PART NUMBER	QUANTITY
CASE-CHAIN (Ref # 36014)	36014-0552	1
COVER-TAIL,LH,M.C.GRAY (Ref # 36040G)	36040-0116-51A	1
COVER-TAIL,LH,C.L.GREEN (Ref # 36040H)	36040-0116-51P	1
COVER-TAIL,LH,U.C.WHITE (Ref # 36040I)	36040-0116-53Q	1
COVER-TAIL,RH,M.C.GRAY (Ref # 36040S)	36040-0117-51A	1
COVER-TAIL,RH,C.L.GREEN (Ref # 36040T)	36040-0117-51P	1
COVER-TAIL,RH,U.C.WHITE (Ref # 36040U)	36040-0117-53Q	1
COVER-TAIL,CNT (Ref # 36040X)	36040-0118	1
PAD,20X40X3 (Ref # 39156)	39156-0831	2
TAPE (Ref # 39188)	39188-0022	2
RIVET (Ref # 92039)	92039-0023	2
BOLT,SOCKET,6X14 (Ref # 92151)	92151-1654	3
DAMPER,TAIL LAMP UPP (Ref # 92161)	92161-0625	1
SCREW,5X16 (Ref # 92172)	92172-0479	2
WASHER,NYLON,5.3X11.5X0.5 (Ref # 92200)	92200-1480	2
NUT,WELL,5MM (Ref # 92210)	92210-0498	2