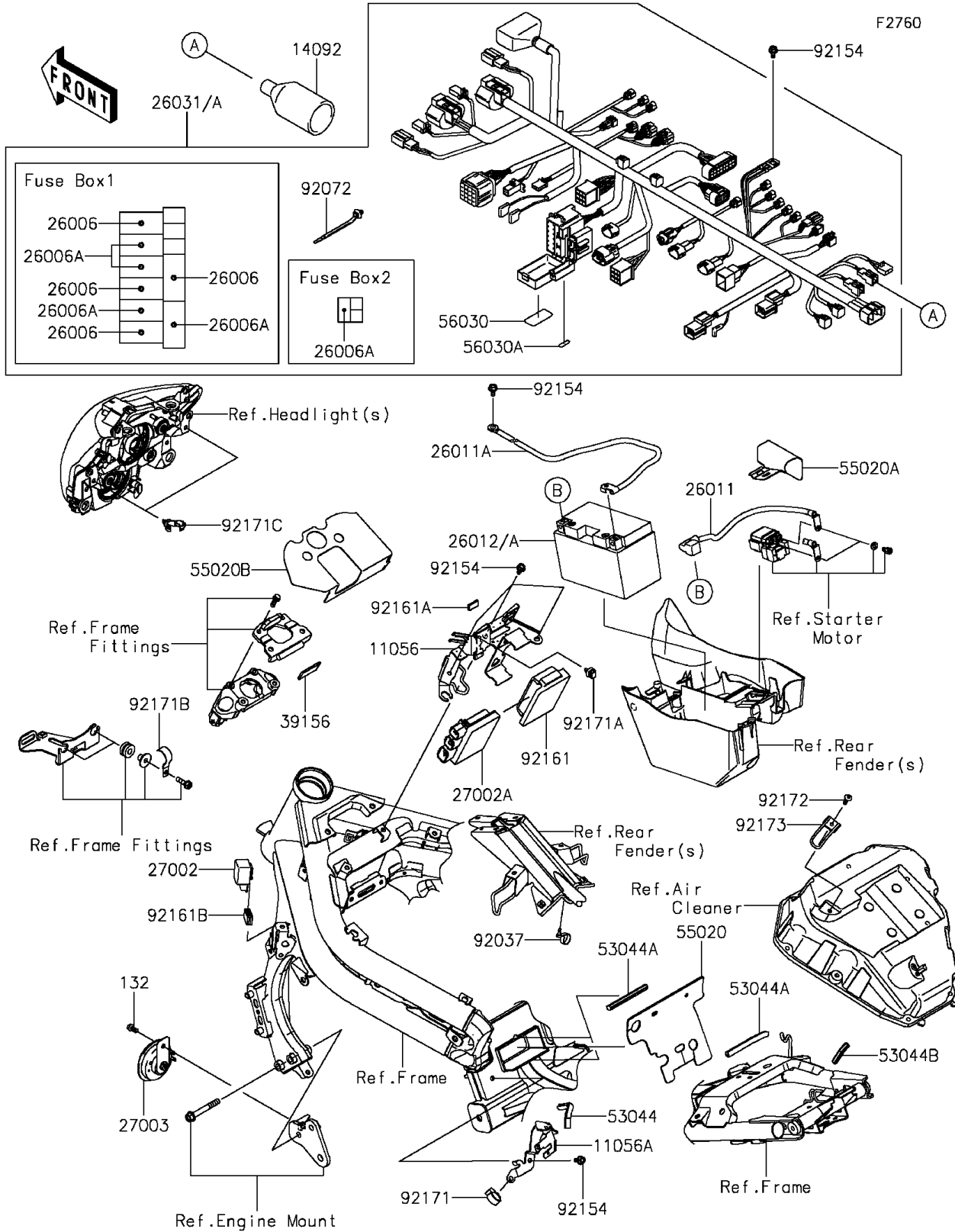


2013 ER-6n (European) PARTS DIAGRAM

Chassis Electrical Equipment



2013 ER-6n (European) PARTS LIST

Chassis Electrical Equipment

ITEM NAME	PART NUMBER	QUANTITY
BOLT-FLANGED-SMALL,6X12 (Ref # 132)	132BB0612	1
BRACKET,RELAY-ASSY (Ref # 11056)	11056-0806	1
BRACKET,PIVOT,UPP,LH (Ref # 11056A)	11056-1867	1
COVER (Ref # 14092)	14092-0902	1
FUSE,MINI BLADE,15A,BLUE (Ref # 26006)	26006-0001	4
FUSE,MINI BLADE,10A,RED (Ref # 26006A)	26006-1078	5
WIRE-LEAD,BATTERY(+) (Ref # 26011)	26011-0709	1
WIRE-LEAD,BATTERY(-) (Ref # 26011A)	26011-0711	1
BATTERY,YT12A-BS,12V (Ref # 26012)	26012-0556	1
HARNESS,MAIN (Ref # 26031A)	26031-1453	1
RELAY-ASSY,SIGNAL LAMP (Ref # 27002)	27002-0006	1
RELAY-ASSY (Ref # 27002A)	27002-0007	1
HORN (Ref # 27003)	27003-0056	1
PAD,20X40X3 (Ref # 39156)	39156-0831	1
TRIM (Ref # 53044)	53044-0018	1
TRIM,L=85 (Ref # 53044A)	53044-0556	3
TRIM,L=48 (Ref # 53044B)	53044-1324	1
GUARD,AIR CLEANER (Ref # 55020)	55020-0760	1
GUARD,MG. SWITCH (Ref # 55020A)	55020-0822	1
GUARD,FUSE BOX (Ref # 55020B)	55020-0826	1
LABEL,FUSE BOX1 (Ref # 56030)	56030-0705	1
LABEL,FUSE BOX2 (Ref # 56030A)	56030-0706	1
CLAMP,SPEED,L=58 (Ref # 92037)	92037-1163	1
BAND (Ref # 92072)	92072-1414	8
BOLT,FLANGED,6X12 (Ref # 92154)	92154-1050	6
DAMPER,RELAY BOX (Ref # 92161)	92161-0203	1
DAMPER,20X20,T1.0 (Ref # 92161A)	92161-1431	1
DAMPER,15X25X8.5 (Ref # 92161B)	92161-1443	1
CLAMP,BRAKE HOSE (Ref # 92171)	92171-0316	1

2013 ER-6n (European) PARTS LIST

Chassis Electrical Equipment

ITEM NAME	PART NUMBER	QUANTITY
CLAMP (Ref # 92171A)	92171-0640	1
CLAMP,L=60 (Ref # 92171B)	92171-0652	2
CLAMP,13MM DIA. (Ref # 92171C)	92171-1415	2
SCREW,TAPPING,5X16 (Ref # 92172)	92172-0742	1
CLAMP,AIR CLEANER (Ref # 92173)	92173-0889	1