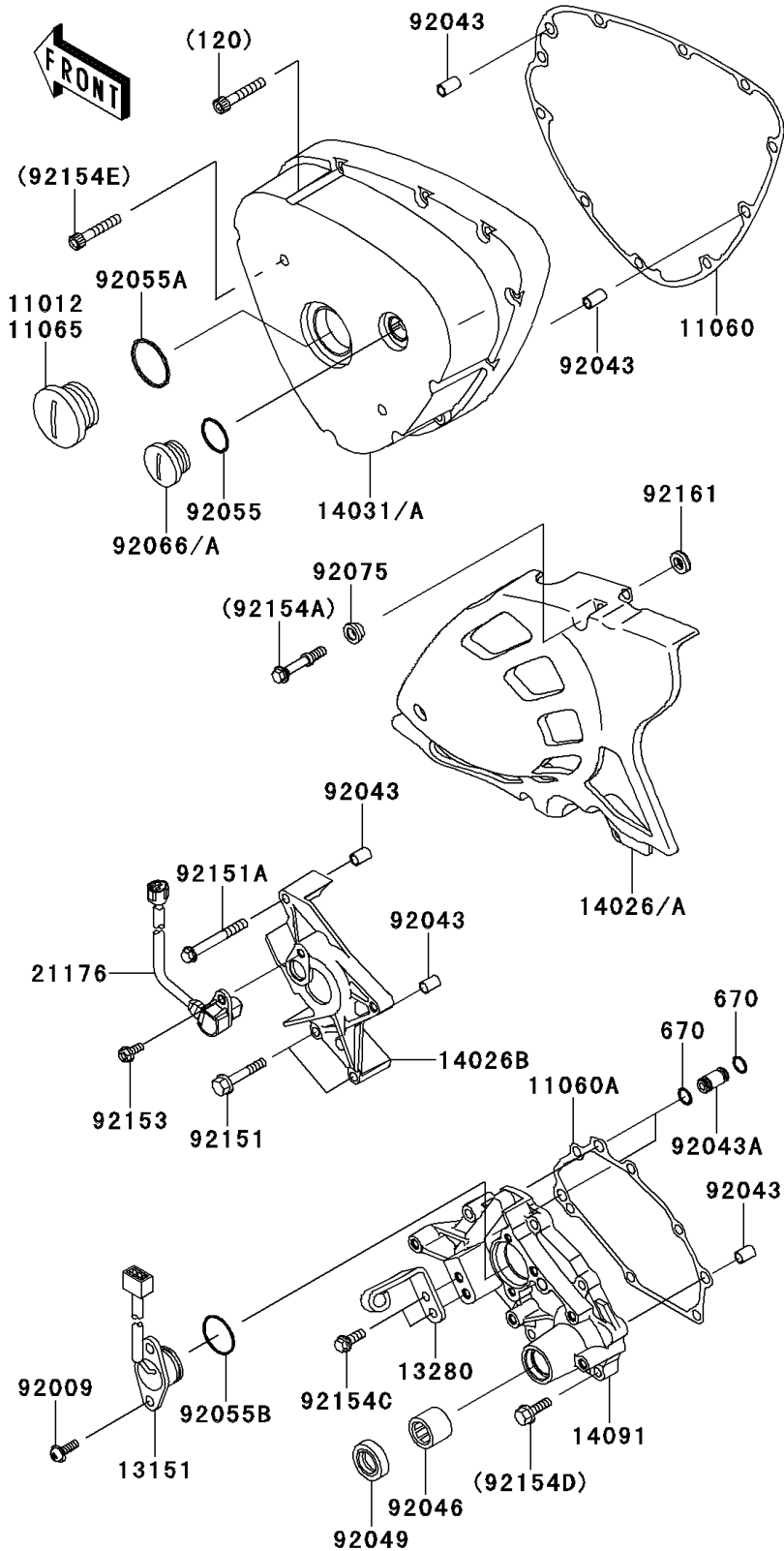


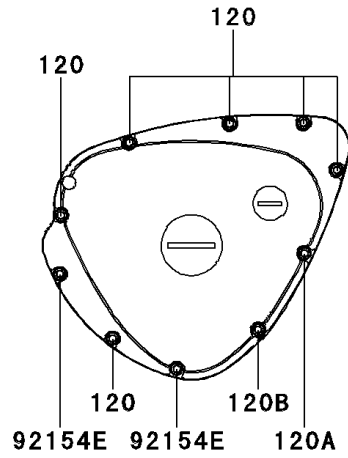
2014 W800 (European) PARTS DIAGRAM

Left Engine Cover(s)

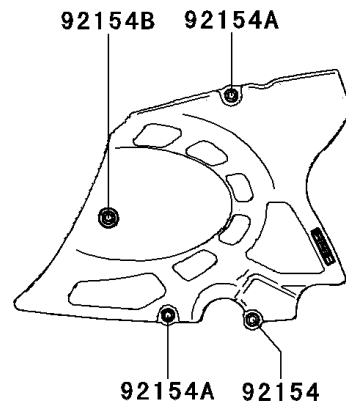


E1435

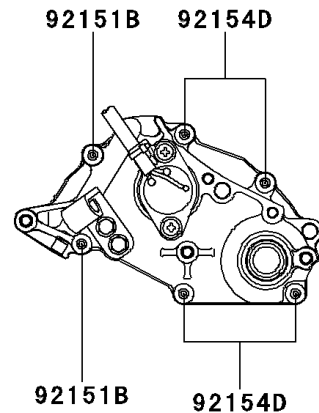
(14031/A) (LH Side)



(14026/A) (LH Side)



(14091) (LH Side)



2014 W800 (European) PARTS LIST

Left Engine Cover(s)

| ITEM NAME | PART NUMBER | QUANTITY |
|------------------------------------------|-------------|----------|
| BOLT-SOCKET,6X35 (Ref # 120) | 120CC0635 | 6 |
| BOLT-SOCKET,6X40 (Ref # 120A) | 120CC0640 | 1 |
| BOLT-SOCKET,6X45 (Ref # 120B) | 120CC0645 | 1 |
| O RING (Ref # 670) | 670D1505 | 4 |
| CAP,GENERATOR (Ref # 11012) | 11012-1817 | 1 |
| GASKET,GENERATOR COVER (Ref # 11060) | 11060-1892 | 1 |
| GASKET,TRANSMISSION COVER (Ref # 11060A) | 11060-1893 | 1 |
| SWITCH-COMP,NEUTRAL (Ref # 13151) | 13151-0054 | 1 |
| HOLDER,CLUTCH CABLE (Ref # 13280) | 13280-1109 | 1 |
| COVER-CHAIN (Ref # 14026A) | 14026-0087 | 1 |
| COVER-CHAIN,INSIDE (Ref # 14026B) | 14026-1261 | 1 |
| COVER-GENERATOR (Ref # 14031A) | 14031-1366 | 1 |
| COVER,TRANSMISSION (Ref # 14091) | 14091-1084 | 1 |
| SENSOR,SPEED (Ref # 21176) | 21176-0154 | 1 |
| SCREW,5X16 (Ref # 92009) | 92009-1571 | 2 |
| PIN,6.2X8X14 (Ref # 92043) | 92043-1263 | 5 |
| PIN (Ref # 92043A) | 92043-1588 | 2 |
| BEARING-NEEDLE,HK1312 (Ref # 92046) | 92046-1148 | 1 |
| SEAL-OIL,TC13225.5 (Ref # 92049) | 92049-1519 | 1 |
| RING-O,20X2 (Ref # 92055) | 92055-1146 | 1 |
| RING-O,39.4X3.1 (Ref # 92055A) | 92055-1618 | 1 |
| RING-O,27.7X2.4 (Ref # 92055B) | 92055-1619 | 1 |
| PLUG,COVER (Ref # 92066A) | 92066-1397 | 1 |
| DAMPER (Ref # 92075) | 92075-1855 | 4 |
| BOLT,6X40 (Ref # 92151) | 92151-1131 | 2 |
| BOLT,6X50 (Ref # 92151A) | 92151-1234 | 1 |
| BOLT,6X35 (Ref # 92151B) | 92151-1874 | 2 |
| BOLT,FLANGED,5X12 (Ref # 92153) | 92153-1582 | 1 |
| BOLT,FLANGED,6X31 (Ref # 92154) | 92154-0486 | 1 |

2014 W800 (European) PARTS LIST

Left Engine Cover(s)

| ITEM NAME | PART NUMBER | QUANTITY |
|------------------------------------|-------------|----------|
| BOLT,FLANGED,6X39 (Ref # 92154A) | 92154-0487 | 2 |
| BOLT,FLANGED,6X43.6 (Ref # 92154B) | 92154-0488 | 1 |
| BOLT,FLANGED,6X16 (Ref # 92154C) | 92154-0489 | 2 |
| BOLT,FLANGED,6X25 (Ref # 92154D) | 92154-0490 | 4 |
| BOLT,SOCKET,6X35 (Ref # 92154E) | 92154-0494 | 2 |
| DAMPER (Ref # 92161) | 92161-0411 | 4 |