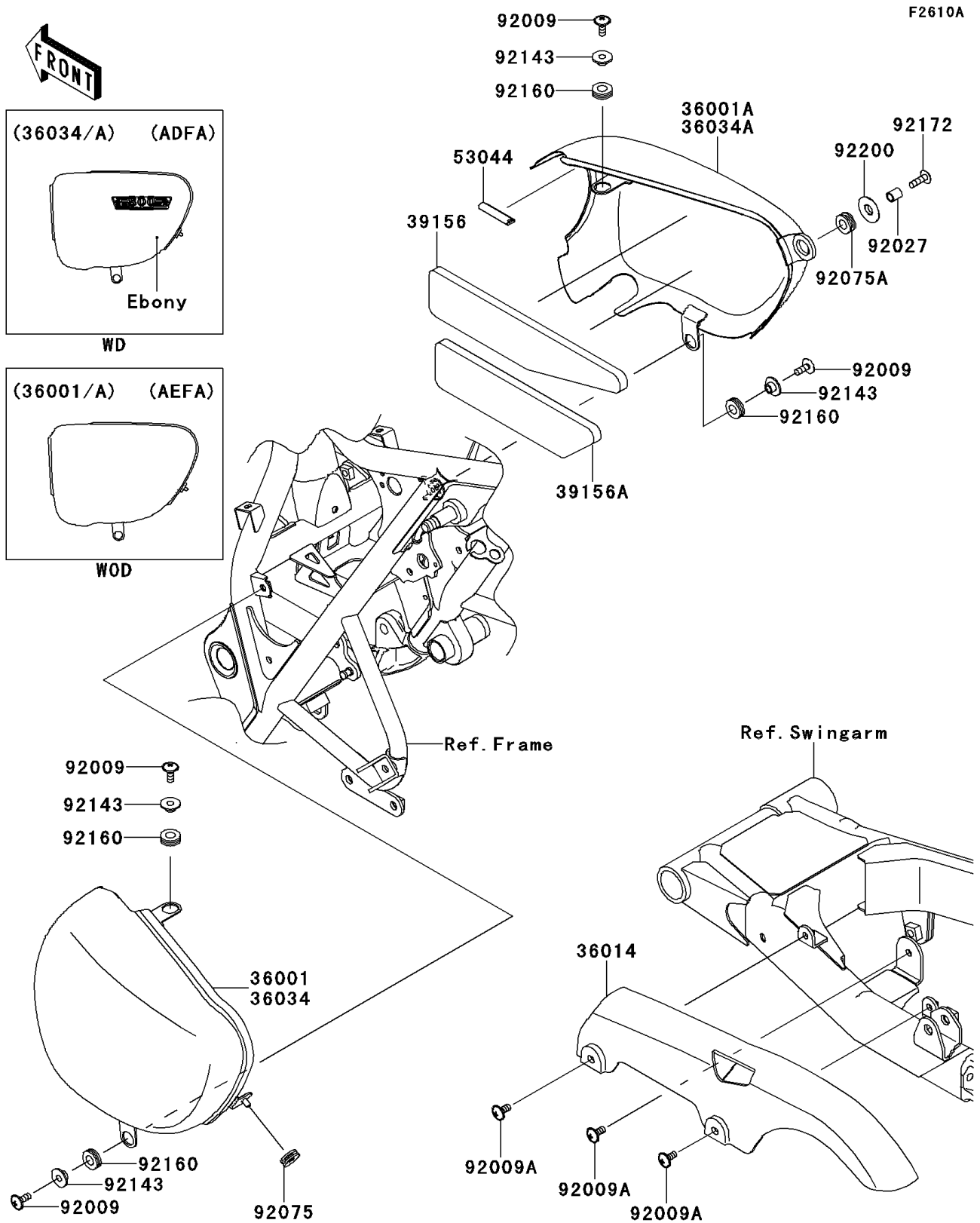


# 2014 W800 (European) PARTS DIAGRAM

Side Covers/Chain Cover(ADFA/AEFA)



## 2014 W800 (European) PARTS LIST

Side Covers/Chain Cover(ADFA/AEFA)

| ITEM NAME                            | PART NUMBER   | QUANTITY |
|--------------------------------------|---------------|----------|
| COVER-SIDE,LH,EBONY (Ref # 36001)    | 36001-1632-H8 | 1        |
| COVER-SIDE,RH,EBONY (Ref # 36001A)   | 36001-1636-H8 | 1        |
| CASE-CHAIN (Ref # 36014)             | 36014-1234    | 1        |
| PAD,SIDE COVER,RH,UPP (Ref # 39156)  | 39156-0675    | 1        |
| PAD,SIDE COVER,RH,LWR (Ref # 39156A) | 39156-0676    | 1        |
| TRIM,L=40 (Ref # 53044)              | 53044-1320    | 1        |
| SCREW,6X16 (Ref # 92009)             | 92009-1621    | 4        |
| SCREW,6X14 (Ref # 92009A)            | 92009-1662    | 3        |
| COLLAR,6.8X10X12 (Ref # 92027)       | 92027-162     | 1        |
| DAMPER (Ref # 92075)                 | 92075-1629    | 1        |
| DAMPER (Ref # 92075A)                | 92075-1634    | 1        |
| COLLAR,L=7.4 (Ref # 92143)           | 92143-1019    | 4        |
| DAMPER (Ref # 92160)                 | 92160-1278    | 4        |
| SCREW,6X20 (Ref # 92172)             | 92172-0399    | 1        |
| WASHER (Ref # 92200)                 | 92200-1153    | 1        |