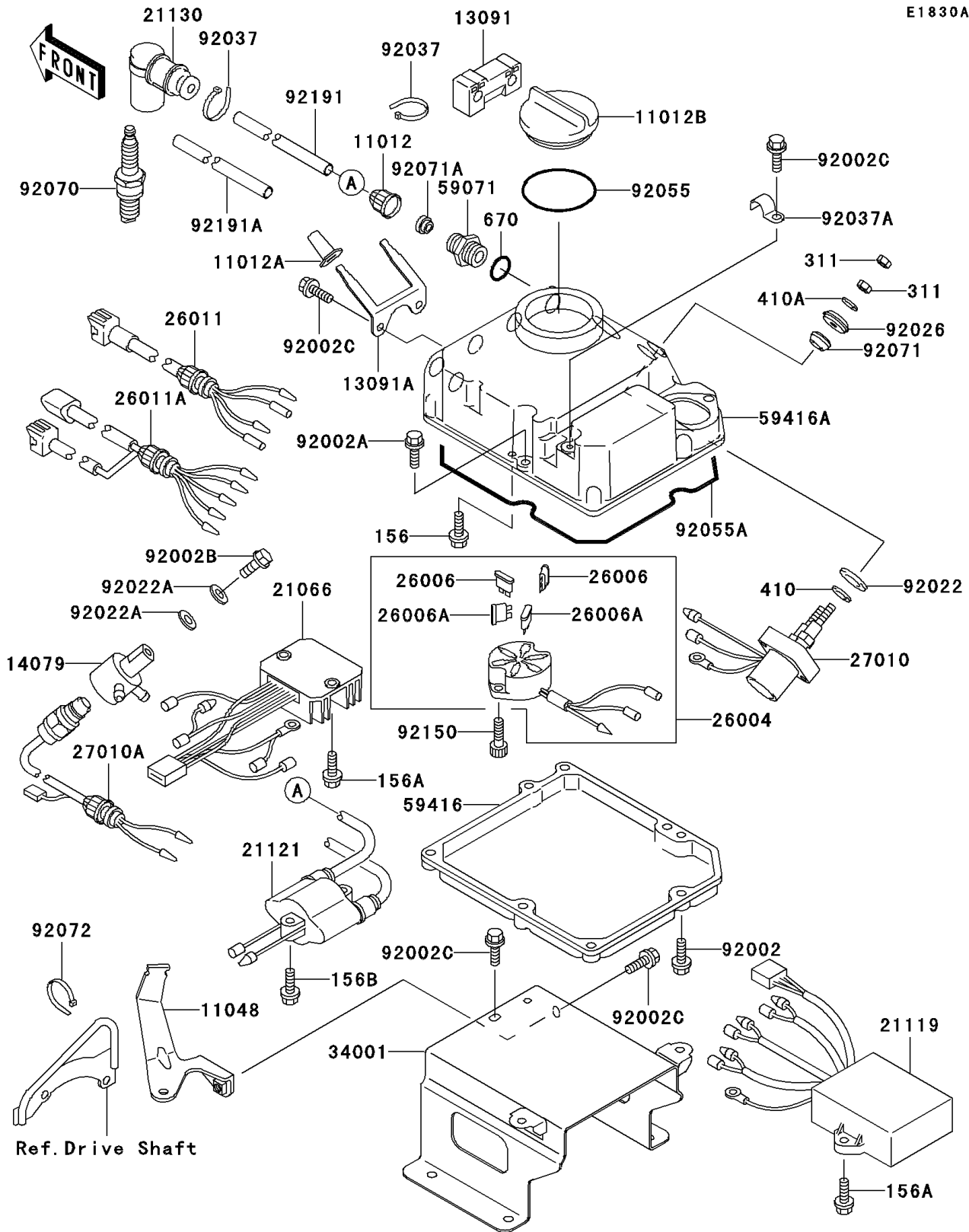


# 1997 STS PARTS DIAGRAM

Ignition System(JT750-B2/B3)

E1830A



# 1997 STS PARTS LIST

## Ignition System(JT750-B2/B3)

ITEM NAME	PART NUMBER	QUANTITY
CAP (Ref # 11012)	11012-3005	2
CAP,HOLDER (Ref # 11012A)	11012-3768	2
CAP (Ref # 11012B)	11012-3791	1
BRACKET,HIGH TENSION CORD (Ref # 11048)	11048-3736	1
HOLDER,HIGH TENSION CORD (Ref # 13091)	13091-3771	1
HOLDER,PLUG CAP (Ref # 13091A)	13091-3781	1
HOLDER-ASSY (Ref # 14079)	14079-3710	1
REGULATOR-VOLTAGE (Ref # 21066)	21066-3711	1
IGNITER (Ref # 21119)	21119-3735	1
COIL-IGNITION (Ref # 21121)	21121-3713	1
CAP-SPARK PLUG (Ref # 21130)	21130-3706	2
FUSE-ASSY (Ref # 26004)	26004-3717	1
FUSE,10A-R (Ref # 26006)	26006-1007	2
FUSE,30A-G (Ref # 26006A)	26006-1067	2
WIRE-LEAD (Ref # 26011)	26011-3799	1
WIRE-LEAD (Ref # 26011A)	26011-3832	1
SWITCH,STARTER RELAY (Ref # 27010)	27010-3724	1
SWITCH (Ref # 27010A)	27010-3747	1
STAND,ELECTRIC CASE (Ref # 34001)	34001-3710	1
JOINT (Ref # 59071)	59071-3001	7
CASE-ELECTRIC,LWR (Ref # 59416)	59416-3728	1
CASE-ELECTRIC,UPP (Ref # 59416A)	59416-3742	1
BOLT,6X25 (Ref # 92002)	92002-3714	5
BOLT,6X35 (Ref # 92002A)	92002-3715	3
BOLT,6X20 (Ref # 92002B)	92002-3755	1
BOLT,6X12 (Ref # 92002C)	92002-3763	5
WASHER (Ref # 92022)	92022-3035	2
WASHER,6.2X20X2 (Ref # 92022A)	92022-3714	2
SPACER (Ref # 92026)	92026-3703	2

## 1997 STS PARTS LIST

Ignition System(JT750-B2/B3)

ITEM NAME	PART NUMBER	QUANTITY
CLAMP (Ref # 92037)	92037-1173	4
CLAMP (Ref # 92037A)	92037-3730	1
RING-O (Ref # 92055)	92055-1292	1
RING-O,ELECTRIC CASE (Ref # 92055A)	92055-3733	1
PLUG-SPARK,BR8ES(NGK) (Ref # 92070)	92070-2078	2
GROMMET (Ref # 92071)	92071-3004	2
GROMMET (Ref # 92071A)	92071-527	2
BAND (Ref # 92072)	92072-3778	2
BOLT,SOCKET,6X18 (Ref # 92150)	92150-3775	2
TUBE,8X10X355 (Ref # 92191)	92191-3752	1
TUBE,8X10X235 (Ref # 92191A)	92191-3753	1
BOLT-WP,6X14 (Ref # 156)	156R0614	1
BOLT-WP,6X22 (Ref # 156A)	156R0622	4
BOLT-WP (Ref # 156B)	156R0630	2
NUT-HEX,6MM (Ref # 311)	311R0600	4
WASHER-PLAIN-SMALL,10MM (Ref # 410)	410B1000	2
WASHER-PLAIN-SMALL,6MM (Ref # 410A)	410S0600	2
O RING,16MM (Ref # 670)	670B2016	7