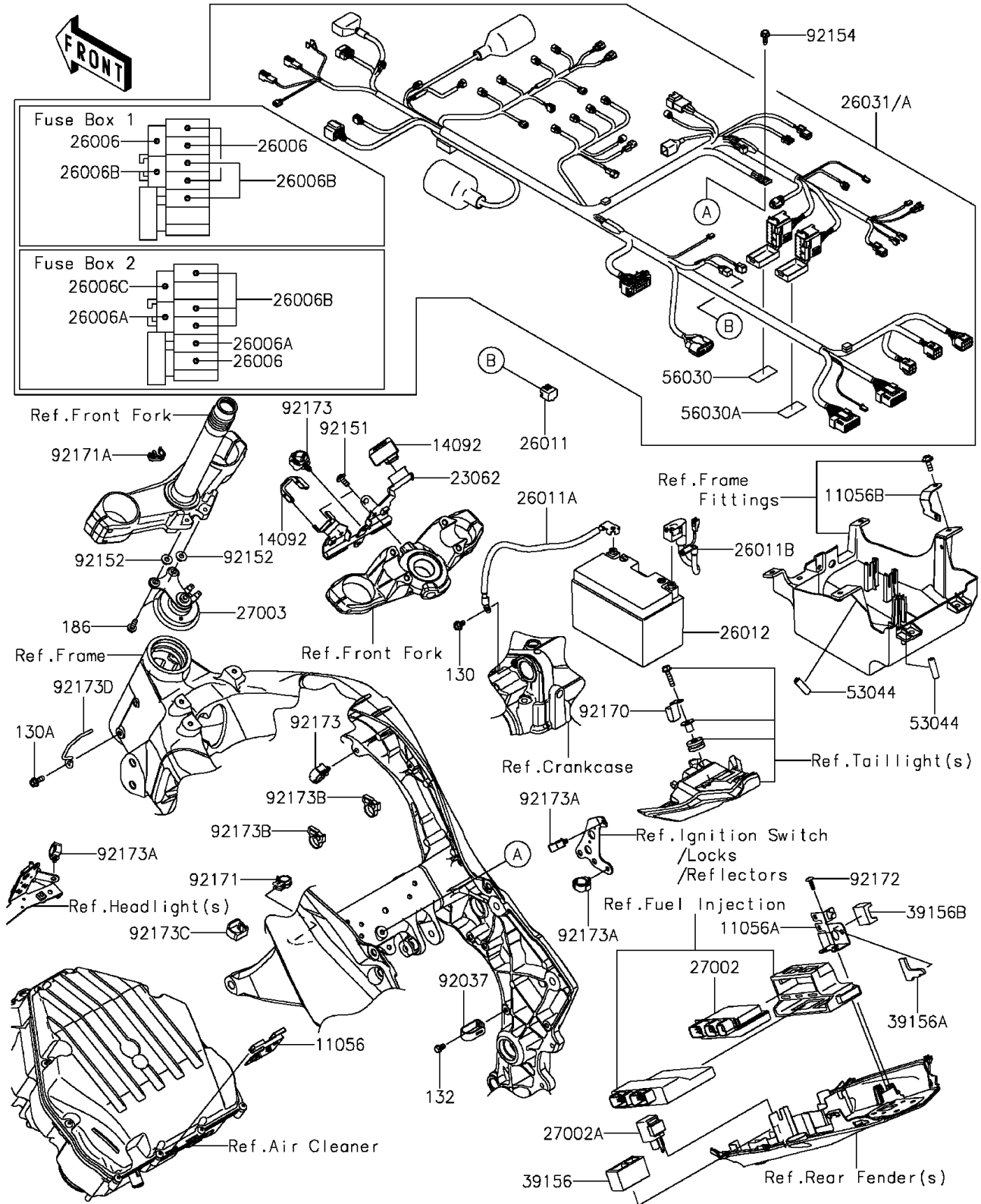


2016 Z1000 ABS PARTS DIAGRAM

Chassis Electrical Equipment

F2760



2016 Z1000 ABS PARTS LIST

Chassis Electrical Equipment

ITEM NAME	PART NUMBER	QUANTITY
-----------	-------------	----------